

Q8

October 2024

The Audi Q8.

The Audi Q8 brings together the best of both worlds – the elegance of a four-door luxury coupé and the practical talents of a large SUV. The generously dimensioned interior, state of the art operating and suspension technologies makes the Audi Q8 a composed companion for business and leisure.





Engines and Pricing | Q8

| Engine | Fuel type | Transmission | Power output (kW) | Torque (Nm) | Fuel consumption (l/100 km) | | | CO ₂ emissions (g/km) | 0 – 100 km/h (sec) | Top speed (km/h) | RRP* |
|--------------------------|-----------|--------------|-------------------|-------------|-----------------------------|-------------|----------|----------------------------------|--------------------|------------------|-------------|
| | | | | | Urban | Extra urban | Combined | | | | |
| 45 TDI Platinum Edition | Diesel | tiptronic | 183 | 600 | 9.2 | 7.0 | 7.8 | 196 | 7.1 | 226 | R 1,968,700 |
| 45 TDI Black Edition | Diesel | tiptronic | 183 | 600 | 9.2 | 7.0 | 7.8 | 196 | 7.1 | 226 | R 2,011,700 |
| 55 TFSI Platinum Edition | Petrol | tiptronic | 250 | 500 | 11.6 | 7.7 | 9.9 | 208 | 5.6 | 250 | R 2,015,400 |
| 55 TFSI Black Edition | Petrol | tiptronic | 250 | 500 | 11.6 | 7.7 | 9.9 | 208 | 5.6 | 250 | R 2,058,400 |

Fuel consumption and CO₂ data applies to the German Market. The specified values are determined in accordance with certain test procedures. The specifications do not refer to an individual vehicle but serve only as a basis for comparing the different types of vehicles. In addition, the consumption figures achieved during normal driving may differ from the test values, depending in particular on special equipment fitted, vehicle loading, personal driving style, road and traffic conditions, environmental factors and conditions of the car. Pricing and specification is valid for vehicles produced from model year 2025 onwards.

* RRP is inclusive of VAT, CO₂ emissions tax and an optional 5 year/100,000km Audi Freeway Plan



Standard Equipment | Q8 Platinum Edition

Wheels:

- ▶ Audi Sport wheels, matte structured grey inserts, 10.0J x 22, 285/40 R22 tyres
- ▶ Anti-theft wheel bolts and loose wheel warning
- ▶ Space-saving temporary spare wheel
- ▶ Tyre pressure monitoring system

Performance, suspension & assistance systems:

- ▶ Adaptive air suspension sport
- ▶ Adaptive cruise control with speed limiter, efficiency, swerve and turn assist
- ▶ Audi drive select
- ▶ Audi pre sense basic
- ▶ Cruise control including speed limiter
- ▶ Electromechanical power steering
- ▶ Red brake calipers
- ▶ Lane departure warning with emergency assist
- ▶ quattro (with self-locking centre differential)
- ▶ 48-V electric system (TFSI)
- ▶ Mild hybrid (TFSI)
- ▶ Start-stop system (TFSI)

Lighting:

- ▶ Headlight cleaning system
- ▶ Matrix LED headlights with LED rear lights plus

Audio & communication:

- ▶ Audi Application Store and smartphone interface
- ▶ Audi connect emergency call & service*
- ▶ Audi connect navigation & infotainment*
- ▶ Audi phone box
- ▶ Audi virtual cockpit plus
- ▶ Bang & Olufsen 3D Premium sound system

Exterior equipment:

- ▶ Bumpers, S line, in full paint finish
- ▶ Door sill trims with aluminum inlays, front and rear, illuminated, front with S logo
- ▶ Entry LED with projection, front and rear
- ▶ Exterior mirror housings in body colour
- ▶ Exterior mirrors, electrically adjustable, heated and folding, automatic. dimming, with memory function
- ▶ Gloss package
- ▶ Panoramic glass roof
- ▶ Trailer hitch
- ▶ Heat-insulating glazing for windshield
- ▶ Singleframe mask, Scandium Gray

Interior equipment:

- ▶ 4-way lumbar support for the front seats
- ▶ 4-zone deluxe automatic air conditioning
- ▶ Ambient lighting package plus
- ▶ Anti-theft alarm
- ▶ Airbags, front; front passenger airbag can be deactivated
- ▶ Cigarette lighter and ashtray
- ▶ Comfort centre armrest, front
- ▶ Control buttons in Gloss Black with haptic feedback and aluminum-look interior
- ▶ Convenience key with sensor-controlled release of the luggage compartment lid, with Safelock
- ▶ Electric auxiliary air heater
- ▶ Electric luggage compartment cover
- ▶ First-aid kit with warning triangle
- ▶ Front seats, electrically adjustable with memory function for the driver seat
- ▶ Inlays, Matt Brushed Aluminum with linear embossing, Silver
- ▶ Interior mirror, automatically dimming, frameless
- ▶ ISOFIX child seat mounting and top tether for the rear seat bench
- ▶ ISOFIX child seat mounting for the front passenger seat

*Audi connect services only supported in South Africa.

Standard Equipment continued | Q8 Platinum Edition

Interior equipment (cont.):

- ▶ Leather steering wheel, 3-spoke with multifunction and shift paddles
- ▶ Loading sill protector, stainless steel
- ▶ Luggage compartment lid, electrically opening and closing
- ▶ Luggage compartment mat
- ▶ Power latching for the doors
- ▶ Rear seat bench plus
- ▶ Seat heating, front
- ▶ Side airbags, front and head airbag system
- ▶ Sport seats, front
- ▶ Stainless steel pedals and footrest
- ▶ Steering wheel adjustment, electric
- ▶ Upper interior element with contrasting stitching
- ▶ Valcona leather with S embossing



Standard Equipment | Q8 Black Edition (over and above Platinum Edition)

Exterior equipment:

- ▶ Audi Sport wheels, 10-Y-spoke, Black Metallic, 10.0J x 22, 285/40
- ▶ Black styling package plus, including Audi badging in black
- ▶ Black mirror housings
- ▶ Singleframe mask in black
- ▶ Roof rails in black
- ▶ Privacy glazing for the rear windows





| Paint Q8 | | | Q8 |
|------------|---|--|-----------|
| 0Q0Q |  | Carrara White | No cost |
| W0W0 |  | Chili Red Metallic | R 2,300 |
| 2Y2Y |  | Glacier White Metallic | R 2,300 |
| 0E0E |  | Mythos Black Metallic | R 2,300 |
| F0F0 |  | Satellite Silver Metallic | R 2,300 |
| D6D6 |  | Waitomo Blue Metallic | R 2,300 |
| 9W9W |  | Ascari Blue Metallic | R 42,000 |
| 2Z2Z |  | Sakhir Gold Metallic | R 42,000 |
| 6Y6Y |  | Daytona Grey Pearl Effect | R 24,500 |
| Q0Q0 |  | Audi exclusive customized paint finishes | R 140,000 |



Wheels & tyres | Q8

| | | 45 TDI/55 TFSI Platinum Edition | 45 TDI/55 TFSI Black Edition |
|-----|--|------------------------------------|---------------------------------|
| 53W | Audi Sport wheels, 5-twin-spoke module, Matt Structured Gray inserts, 10.0J x 22, 285/40 R22 tyres | S | R 1,000 |
| F23 | Audi Sport wheels, 10-Y-spoke, Black Metallic, 10.0J x 22, 285/40 R22 tyres | --- | S |
| 58U | Audi Sport wheels, 10-spoke trapezoid, Black Metallic, 10.0J x 23, 285/35 R23 tyres | --- | R 15,800 |
| 60I | Audi Sport wheels, multi-spoke S design, Black Metallic, gloss turned finish, 10.0J x 23, 285/35 R23 tyres | R 24,200 | --- |

22"



53W



F23

23"



58U



60I



Optional equipment | Q8

| Suspension, brakes & towing: | | 45 TDI/55 TFSI Platinum Edition | 45 TDI/55 TFSI Black Edition |
|---|--|--|-------------------------------------|
| 0N5 | <p>All-wheel steering Improves the driving dynamics and the driving comfort as a result of additional steering ability of the rear axle. At lower speeds, the rear axle self-steers oppositely to the steering angle of the front axle. This results in higher agility & reduces turning circle from approx. 12.4m to 11.4m., making manoeuvring easier, especially in tight bends and when parking. At higher speeds, steering in the same direction improves the responsiveness as well as the driving dynamics, cornering and vehicle stability.</p> | R 26,800 | R 26,800 |
| Exterior equipment: | | | |
| PXB | <p>HD matrix LED headlights with Audi laser light, LED rear lights and headlight cleaning system The innovative, multi-row HD matrix LED headlights provide more precise illumination of the road thanks to their higher resolution. Dazzling for oncoming vehicles or vehicles in front can be considerably reduced. The Audi laser light supplements the LED main beam at high speeds. Providing almost double the range of the main beam, the LED headlights illuminate a wide area in front of the vehicle. Within system limits and depending on speed, the Audi laser light is activated automatically and only outside of built-up areas. This innovative technology is made visible by the blue LED lighting in the headlight. To customise the vehicle, there are various daytime running light signatures in the MMI touch response display that can be changed conveniently at any time.</p> | R 19,500 | R 19,500 |
| 8SC | <p>Digital OLED rear lights The digital OLED technology used for the rear lights creates a fascinating and impressive lighting design. They contain wafer-thin lighting elements, which are subdivided several times into individually controllable segments, making it possible to create different and fascinating designs for the digital rear light signature. To customise the vehicle, there are various taillight signatures in the MMI touch display. In conjunction with the assist systems, the digital OLED rear lights have proximity detection. When the vehicle is stationary and other road users approaching from behind come within two metres, all OLED segments are automatically activated.</p> | R 23,000 | R 23,000 |
| 3S1 | Roof rails in aluminium | R 9,000 | --- |
| 3S2 | Black roof rails | --- | S |
| 6FQ | Exterior mirror housings in Carbon | R 16,200 | R 16,200 |



Optional equipment | Q8

| <u>Interior equipment:</u> | | 45 TDI/55 TFSI Platinum Edition | 45 TDI/55 TFSI Black Edition |
|----------------------------|--|------------------------------------|---------------------------------|
| 2PF | Sport contour leather steering wheel, 3-spoke, flat bottom with multifunction and shift paddles Not available in combination with Adaptive cruise assist (6I6) | R 2,700 | R 2,700 |
| 1XP | Leather steering wheel, 3-spoke with multifunction, shift paddles and steering wheel heating | R 5,000 | R 5,000 |
| <u>Seats:</u> | | | |
| PV6 | Front seats, electrically adjustable including memory function for front passenger seat (Memory function for driver's seat is included in standard specification) | R 4,900 | R 4,900 |
| Q4Q | Sports seats plus in front The special hallmarks of the sport seats plus, front are striking details such as the integrated head restraints and rhombus pattern. Requires Valcona leather with S embossing & rhombus pattern (NOQ) | R 25,500 | R 25,500 |
| 4A4 | Seat heaters in front and rear | R 9,300 | R 9,300 |
| 4D8 | Seat ventilation and massage feature in front | R 36,000 | R 36,000 |
| 5ZC | Variable head restraints for front seats | R 3,500 | R 3,500 |



Optional equipment | Q8

| Seat upholstery, inlays & headlining: | | 45 TDI/55 TFSI Platinum Edition | 45 TDI/55 TFSI Black Edition |
|---------------------------------------|--|------------------------------------|---------------------------------|
| NOQ | Valcona leather with S embossing and rhombus pattern | No cost | No cost |
| 7HQ | Upper part of dashboard with contrast stitching and lower part of dashboard in leatherette <ul style="list-style-type: none"> • upper part of instrument panel including trim of the head-up display (if ordered), black with contrasting stitching in rock grey • door armrests in artificial leather, black with contrasting stitching in rock grey or in artificial leather, rotor grey with contrasting stitching in anthracite • centre console trim in artificial leather, black with contrasting stitching in rock grey or tone-on-tone stitching | R 14,000 | R 14,000 |
| 7HR | Upper interior element in leather and lower interior elements in artificial leather <ul style="list-style-type: none"> • upper part of instrument panel including trim of the head-up display (if ordered) in leather, black with contrasting stitching in rock grey • door armrests in artificial leather, black with contrasting stitching in rock grey or in artificial leather, rotor grey with contrasting stitching in anthracite • centre console trim in artificial leather, black with contrasting stitching in rock grey | R 44,200 | R 44,200 |
| 5MH | Inlays, Carbon Twill, matte | R 19,800 | R 19,800 |
| YYB | Coloured stitching in red | R 18,200 | R 18,200 |



Optional equipment | Q8

| <u>Assistance systems:</u> | | 45 TDI/55 TFSI Platinum Edition | 45 TDI/55 TFSI Black Edition |
|----------------------------|--|------------------------------------|---------------------------------|
| 6K8 | Audi pre sense front If an imminent collision with vehicles, pedestrians or cyclists is detected, a visual and acoustic warning sounds and the brake is jolted briefly. Shorter braking distance possible with driver reaction as brake system is preconditioned. If driver does not respond adequately, the system applies emergency braking. | R 9,400 | R 9,400 |
| PCH | Side assist incl. Audi pre sense rear, exit warning and rear cross-traffic assist Guides safely on motorways and across urban roads with multiple lanes. Can assist when changing lanes as well as when exiting the vehicle and reversing out of parking spaces and provide a warning or, if necessary, initiate safety measures. | R 14,000 | R 14,000 |
| 6I6 | Adaptive cruise assist with emergency assist On multi-lane motorways and urban roads, the system can help the vehicle maintain a steady position behind the vehicle ahead and stay in lane. This can noticeably improve driving comfort, e.g. on long journeys and in heavy city traffic. The integrated emergency assist can warn the driver of critical situations and, if necessary, initiate safety measures, such as optimization of the seat position, and place an emergency call. | R 8,200 | R 8,200 |
| KS1 | Head-up display Projects warning messages or driving-related information from assistance systems and the navigation system in full colour onto the windscreen in the driver's direct field of vision, giving the driver faster access to information. Display is adjustable in height. | R 32,500 | R 32,500 |
| 9R1 | Night vision assistant Assists the driver when driving at night by displaying a thermal image of the surroundings. People and large animals are highlighted in yellow in the Audi Virtual Cockpit. If the system determines from their position that there is a potential risk, the marking changes to red, a warning triangle appears, and a warning tone is emitted. Warnings can also be shown in the head-up display, if ordered. In conjunction Audi Matrix LED headlights, the highlighted person is also illuminated with 3 successive brief flashes of the headlights. | R 49,900 | R 49,900 |
| 4X4 | Side airbags in the rear Additional side airbags for the outer seats of the second seat row, to supplement the side airbags, front and head airbag system. | R 9,400 | R 9,400 |



Important information

Welcome to Audi

Audi Freeway Plan | Motoring Peace of Mind

There can be no better motoring peace of mind than knowing that your car will be serviced, maintained and repaired, should this prove necessary, at no cost to you.

Thanks to Audi Freeway Plan, that peace of mind could be yours.

The Audi Freeway Plan absorbs all maintenance and service costs, with the exception of between-service top-up fluids, fuel, cracked or broken glass, and tyres.

Recommended retail pricing is inclusive of an optional 5 year/100,000 km Audi Freeway Plan on all new Audi vehicles.

Top-up options to extend maintenance are available at extremely competitive rates. Audi has specially designed the Audi Freeway Plan for easy operation on the part of the owner. Making an appointment with any one of our approved Audi Servicing Dealers can effect regular servicing and maintenance as well as repairs (with the exception of accident damage).

All work is handled by the relevant service department, which will liaise directly with the Audi Freeway Plan Maintenance Unit. No extra effort or payment is required from the Audi owner. The Audi Freeway Plan is registered with the vehicle and as such is transferable to the new owner should the car be sold before the Audi Freeway Plan has expired, giving added resale value. The Audi Freeway Plan is available in addition to Audi's standard one-year/unlimited distance vehicle warranty. The Audi Freeway Plan is subject to certain exclusions, covers any repairs necessary after the expiry of the standard warranty.

Audi Assist | Emergency and Personal Assistance

Audi Assist is a programme whereby Audi of South Africa and its Dealer Network pledge to provide you with peace of mind motoring by providing the infrastructure to support a countrywide emergency service 24 hours a day, every day.

The programme is known as Audi Assist and operates within the borders of South Africa as well as Namibia and Botswana. The objective of the programme is to ensure on the spot roadside assistance offered by a fully equipped and trained Audi technician.

The primary focus is to get you mobile in your own vehicle. Where a roadside repair cannot be effected and the vehicle needs to be towed to the nearest Audi dealer, you and the occupants of the vehicle will be transported to a place of safety in the dealer's roadside assistance vehicle.

Contact details within South Africa:

086 043 4838

Contact details for neighbouring states:

+27 41 994 5616

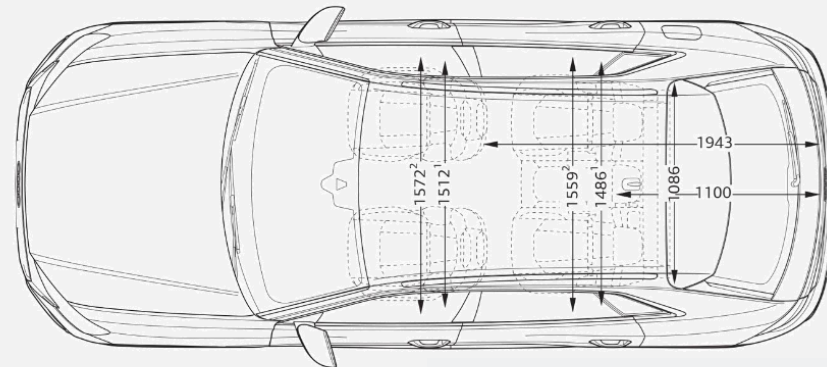
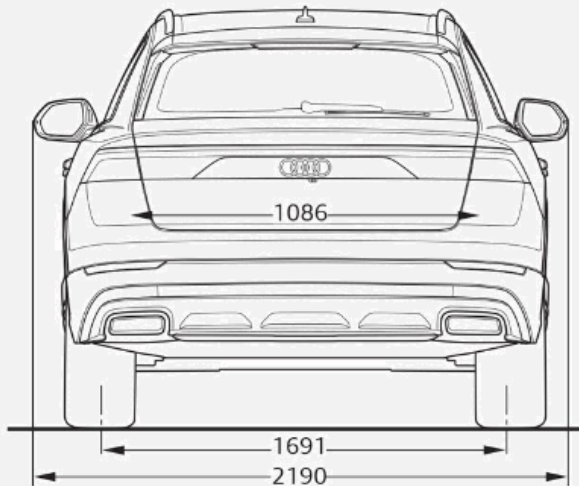
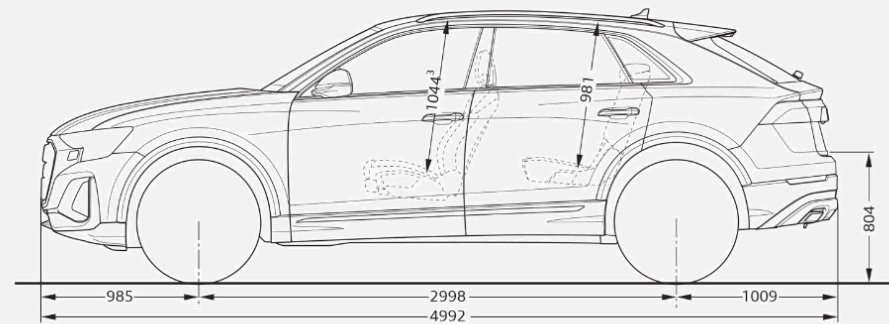
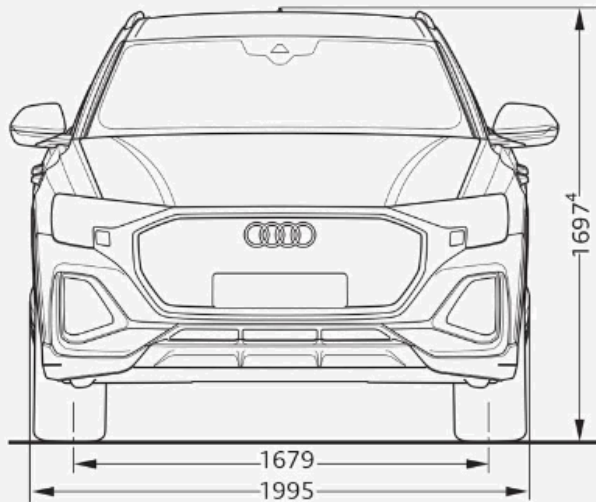
24 hours a day, 7 days a week

Vehicle model and VIN number will be required.



Q8 dimensions

All the measurements you need



Luggage capacity = 605 l/1,755 l

Q8



Information in this pricelist

We've done all we can to make the prices, specifications, technical details and all other information you see in this pricelist accurate at the time of publication. We reserve the right to change prices or specification at any time. All prices shown include VAT, which is currently charged at 15%. Recommended retail pricing is not binding on the dealer and is inclusive of an optional 5 year/100,000km Audi Freeway Plan. Pricing and specification is valid for vehicles produced from model year 2025 onwards.

Please check model availability and full specification details with your Audi Dealership prior to ordering. Neither Audi South Africa nor Audi Dealers can accept contractual responsibility for your reliance on the information contained in this pricelist. Performance figures and specifications relating to Audi vehicles are indicative only and performance cannot be guaranteed. Performance figures and specifications may be updated from time to time, when new test results or other information become available. Your local Audi Dealership can always provide you with the most up-to-date information available. Written and visual depictions (including photographs) of vehicles, are for illustrative purposes only and should not be relied upon. Some illustrations may not accurately reflect South African specifications (including paint and trim colours) and may not be available. If in doubt, always contact your local Audi Dealership.