

**e-tron**

e-tron 55

**February 2022**

# The Audi e-tron.

Immerse yourself in the exciting world of electromobility with the Audi e-tron and help shape the future. Our first fully electric vehicle, a companion for a new time. This pricelist will make it easy for you to build your e-tron, taking you through all the model and option choices. The online configurator is also available to build your dream car.



Note: vehicle depicted may contain equipment not currently available for the South African market.



## Models

Models	Battery (kW)	Power output (kW)	Torque (Nm)	Electric Consumption combined (WLTP) (kWh/100 km)	CO <sub>2</sub> emissions (g/km)	Electric range** Combined (WLTP) (km)	0 – 100 km/h (sec)	Top speed (km/h)	RRP*
55 quattro	95	300	664	24.2 - 22.0 (NEDC)	0	369 - 440	5.7	200	R1,745,000
55 quattro Advanced	95	300	664	24.2 - 22.0 (NEDC)	0	369 - 440	5.7	200	R1,990,000
55 quattro S line	95	300	664	24.2 - 22.0 (NEDC)	0	369 - 440	5.7	200	R2,045,000

Fuel consumption and CO<sub>2</sub> data applies to the German Market. The specified values are determined in accordance with certain test procedures. The specifications do not refer to an individual vehicle but serve only as a basis for comparing the different types of vehicles. In addition, the consumption figures achieved during normal driving may differ from the test values, depending in particular on special equipment fitted, vehicle loading, personal driving style, road and traffic conditions, environmental factors and conditions of the car.

\* RRP is inclusive of VAT, CO<sub>2</sub> emissions tax and a 5 year/100,000km Audi FreewayPlan

\*\* Figures depend on the equipment selected



## Standard Equipment: e-tron 55

### Wheels

- ▶ Anti-theft wheel bolts and loose wheel warning
- ▶ Collapsible spare tyre
- ▶ Direct tyre pressure monitoring system
- ▶ Disc brakes in front & rear, 18-inch
- ▶ Tool kit and jack
- ▶ Wheels, 5-arm "Aero" style, with graphic print, 8.5J x 19, 255/55 R19 tyres
- ▶ Audi Sport wheels, 5-double-spoke edge style, Matte Titanium grey, diamond-turned, 9.0J x 20, 255/50 R20 tyres (e-tron 55 Advanced only)
- ▶ Wheels, 5-arm turbine style, Graphite grey, diamond-turned, 9.5J x 21, 265/45 R21 tyres (S line only)

### Interior equipment

- ▶ 12-volt outlet
- ▶ 4-way lumbar support for the front seats
- ▶ 2-zone climate control system
- ▶ 4-zone climate control system (Advanced and S line models only)
- ▶ Anti-theft alarm system
- ▶ Auto-dimming interior rearview mirror, frameless
- ▶ Comfort center armrest in front
- ▶ Decorative inserts in graphite grey fine paint
- ▶ Driver and front passenger airbag with front passenger airbag deactivation
- ▶ First aid kit with warning triangle and safety vests
- ▶ Floor mats in front and rear
- ▶ Glossy Black operating buttons with haptic feedback and aluminum look interior (Advanced and S line models only)
- ▶ Head restraints in front
- ▶ Headliner in fabric, specific color
- ▶ ISOFIX child seat anchors and top tether for the rear bench seat
- ▶ ISOFIX child seat anchors for front passenger seat
- ▶ Leather-wrapped multi-function steering wheel, 3-spoke, with shift paddles
- ▶ Milano leather (Advanced and S line models only)

- ▶ Leather/leatherette "mono.pur 550" combination
- ▶ Luggage compartment floor mat
- ▶ Manual luggage compartment cover
- ▶ Power front seats with memory feature for driver seat
- ▶ Manual steering wheel adjustment column
- ▶ Seat heaters in front (Advanced and S line models only)
- ▶ Standard heat output
- ▶ Standard seats in front
- ▶ Stationary air conditioning
- ▶ Storage and Luggage Compartment package
- ▶ Sun visor on driver and front passenger side
- ▶ Upper part of dashboard in leatherette

### Safety & Convenience

- ▶ Audi pre sense rear (Advanced and S line models only)
- ▶ Comfort key with sensor-controlled luggage compartment release
- ▶ Lane change assistant with exit warning system and rear cross traffic alert (Advanced and S line models only)
- ▶ Lane departure warning (standard trim only)
- ▶ Luggage compartment lid, electrically opening and closing
- ▶ Parking aid Plus
- ▶ Rear view camera system
- ▶ Seat belt reminder
- ▶ Service indicator 30 000 km or 2 years ( fix ) electric vehicle
- ▶ Side airbags in front and curtain airbag system
- ▶ With multifunction camera



## Standard Equipment: e-tron 55

### Performance & suspension

- ▶ Adaptive air suspension
- ▶ Adaptive air suspension sport (S line only)
- ▶ Cruise control system with speed limiter
- ▶ Progressive steering
- ▶ quattro

### Audio & Communication

- ▶ Audi connect Emergency Call & Service
- ▶ Audi connect Navigation & Infotainment
- ▶ Audi music interface
- ▶ Audi smartphone interface
- ▶ Audi virtual cockpit plus
- ▶ Audi sound system
- ▶ Bang & Olufsen premium sound system with 3D sound (Advanced and S line models only)
- ▶ Bluetooth interface
- ▶ MMI Navigation plus with MMI touch response

### Lighting

- ▶ Ambient lighting package (multi-colour for Advanced and S line)
- ▶ Separate daytime running light
- ▶ LED headlamps
- ▶ Matrix LED headlamps with dynamic light design and dynamic turn signal (Advanced and S line models only)







### Exterior equipment

- ▶ Advanced bumpers in contrasting paint (Advanced only)
- ▶ Adaptive windshield wipers with integrated washer nozzles (Advanced and S line models only)
- ▶ Exterior mirror housings painted in body color
- ▶ Exterior mirrors, power-adjustable, heated and power-folding, auto-dimming on both sides, with memory feature
- ▶ High-gloss styling package
- ▶ Rear spoiler
- ▶ Side and rear windows with heat-reflecting glass
- ▶ S line bumpers in full body paint (S line only)
- ▶ Scuff plates with aluminum inserts in front and rear
- ▶ Scuff plates with aluminum inserts in front and rear, illuminated, with "S" logo in front (S line only)
- ▶ Windshield with heat-reflecting glass and acoustic glass




### Electric specifications

- ▶ e-tron charging system "compact"
- ▶ High-voltage battery 95 kWh (gross)
- ▶ Household plug type M for the e-tron charging system
- ▶ Industrial plug CEE 32 A, 230 V, long and straight, for the e-tron charging system
- ▶ Mode 3 charging cable for public charging 22 kW (AC)
- ▶ On-board charger up to 11kW (AC)
- ▶ Vehicle charging cable
- ▶ Vehicle inlet CCS type 2
- ▶ Wall bracket



Paint			55	55 Advanced	55 S line
A2A2		Brilliant Black	No cost	No cost	No cost
Y6Y6		Catalunya Red Metallic	No cost	No cost	No cost
L5L5		Floret Silver Metallic	No cost	No cost	No cost
S1S1		Galaxy Blue Metallic	No cost	No cost	No cost
2Y2Y		Glacier White Metallic	No cost	No cost	No cost
H1H1		Manhattan Grey Metallic	No cost	No cost	No cost
0E0E		Myth Black Metallic	No cost	No cost	No cost
2D2D		Navarra Blue Metallic	No cost	No cost	No cost
7M7M		Siam Beige Metallic	No cost	No cost	No cost
2L2L		Typhoon Grey Pearl	No cost	No cost	No cost
Z7Z7		Chronos Grey Metallic	----	----	No cost
6Y6Y		Daytona Grey Pearlescent	----	----	R20,100
Q0Q0		Individual paint finish, Audi exclusive	R72,300	R72,300	R72,300



Wheels & Tyres			55	55 Advanced	55 S line
40V		Wheels, 5-arm "Aero" style, with graphic print, 8.5J x 19, 255/55 R19 tyres	Std	---	---
CN7		Audi Sport wheels, 5-double-spoke edge style, Matte Titan. grey, diamond-turned, 9.0J x 20, 255/50 R20 tyres	R32,500	Std	---
F48		Wheels, 5-arm turbine style, Graphite grey, diamond-turned, 9.5J x 21, 265/45 R21 tyres	---	R5,100	Std
47B		Wheels, 5-arm turbine style, Black, diamond-turned, 9.5J x 21, 265/45 R21 tyres	R39,500	R7,100	No cost
F50		Audi Sport wheels, 5-V-spoke star style, Black, 9.5J x 21, 265/45 R21 tyres	---	R11,100	R6,200
F51		Audi Sport wheels, 5-V-spoke star style, Platinum grey, diamond-turned, 9.5J x 21, 265/45 R21 tyres	R43,500	R11,100	R6,200
42P		Audi Sport wheels, 10-spoke rotor style, Anthracite Black, diamond-turned, 9.5 x 21, 265/45 R21 tyres	---	R11,100	R6,200
54L		Audi Sport wheels, 5-spoke structure style, Titanium grey, diamond-turned, 9.5J x 22, 265/40 R22 tyres	---	R26,100	R20,600



Optional equipment		55	55 Advanced	55 S line
<b>Styling packages</b>				
WQS	<b>"S line" interior</b> Includes: - 4-way lumbar support for front seats - Emblems - Headliner in Black fabric - Scuff plates with aluminium inserts in front and rear, illuminated, with "S" logo in front Forces alternative front seats and upholstery at an additional cost	R27,900	R27,900	R27,900
4ZP	<b>Black Appearance package Plus</b> Black styling package with Audi rings at the front and rear and model designation on the rear in black; e-tron lettering on loading flap in black / orange; for S models model designation in the radiator grille in black. <b>Note:</b> can only be ordered in connection with omission of service / technology lettering or omission of model designation and performance / technology lettering	---	R16,100	R16,100
4ZD	<b>Black Styling package</b> Black accents on the exterior in the area of the Singleframe, the trim strips on the side windows and the front and rear bumpers.	---	R12,000	R12,000
VJ1	<b>Bumpers "advanced" in full paint finish</b>	---	R7,100	---
2K8	<b>S line bumpers in contrasting paint</b>	---	---	R40,700
<b>Lighting and Mirrors</b>				
PX6	<b>Matrix LED headlamps and LED rear combination lamps</b> Audi matrix LED technology provides precise, high-resolution illumination of the road. Dazzling for oncoming vehicles or vehicles in front can be considerably reduced as a result. If vehicles are detected by the camera system, the system selectively masks just the area of the detected vehicle while all other segments of the main beam remain active. Switching between the respective light distributions and regulation while oncoming traffic is passing are visible in the headlights as dynamic operations. The illumination of the vehicle's path is significantly better, thus improving safety and comfort when driving in the dark. The headlights and the rear lights have a dynamic indicator and innovative dynamic light sequencing that catches the eye while the vehicle is still stationary with its futuristic look.	R29,000	S	S
PXC	<b>Digital Matrix LED headlamps and LED rear combination lamps</b> The headlight technology of the digital matrix LED headlights and LED rear lights makes it possible to project high-resolution light images or animations directly in front of the vehicle. This innovation is complemented by numerous options for adaptive light distribution and light assistance. This can increase comfort when driving in the dark. The customization options for the coming home / leaving home function are based on an extended light show with five selected dynamic projections.	R90,500	R61,300	R61,300
9TF	<b>Door entrance LED projector lights in front and rear</b>	R4,900	R4,900	R4,900





Optional equipment		55	55 Advanced	55 S line
<b>Styling packages</b>				
6FJ	<b>Black exterior mirror housings</b>	---	R2,100	R2,100
6FQ	<b>Carbon exterior mirror housings</b>	R13,900	R13,900	R13,900
PAF	<b>Virtual exterior mirrors</b> The virtual exterior mirrors produce an impressive effect with the aerodynamic form of the exterior camera mounts and the high-contrast 7-inch OLED displays in the interior. In order to adjust the required field of view, the image section can be moved with user-friendly touch operation.	R23,900	R23,900	R23,900
QQ2	<b>Ambient lighting plus</b> Colour coordination options available for: · front door pockets, illuminated · contour lighting for the doors, front and rear · ambient upholstery lighting for the doors, front and rear · ambient lighting of the centre console, front · contour lighting of the centre console, front · contour lighting of instrument panel including light graphics and with illuminated e-tron badge	R5,600	S	S



Optional equipment		55	55 Advanced	55 S line
<b>Interior equipment</b>				
6NQ	<b>Headliner in Black fabric</b>	R6,500	R6,500	R6,500
2C7	<b>Electric steering wheel adjustment</b>	R8,100	R8,100	R8,100
1XP	<b>Leather-wrapped multi-function sports steering wheel, with shift paddles and steering wheel heating</b>	R3,800	R3,800	R3,800
2ZM	<b>Leather-wrapped multi-function steering wheel, double-spoke, shift paddles and steering wheel heating</b>	R1,500	R1,500	R1,500
2PF	<b>Sports contour leather-wrapped multi-function steering wheel, with shift paddles, 3-spoke, flat-bottomed</b>	R2,300	R2,300	R2,300
2V9	<b>Air ionizer and aromatization</b> Refreshing air quality, pleasant scent and improved purity. An atmosphere that you can feel.	R8,100	R8,100	R8,100
GA2	<b>Comfort stationary air conditioning</b> In addition to the standard stationery air conditioning, further equipment such as seat heating and window heating can be activated with comfort stationary air conditioning	R1,700	R1,700	R1,700
7E4	<b>Increased heat output</b> Improve the charging ability of your Audi e-tron <sup>1</sup> battery on cold days and use the possibility of heating the interior even more quickly in low outside temperatures.	R7,700	R7,700	R7,700
VW0	<b>Acoustic glass for door and side windows</b>	R10,100	R10,100	R10,100
3Y4	<b>Manual sunshade for the rear door windows</b>	R4,000	R4,000	R4,000
5XF	<b>Sun visor on driver and front passenger side, retractable</b>	---	R1,100	R1,100
VT3	<b>Scuff plates with aluminum inserts in front and rear, illuminated</b>	R3,600	R3,600	---
6SJ	<b>Variably folding luggage compartment mat</b>	---	R2,500	R2,500
UE8	<b>USB ports with charging function in rear</b>	R3,100	R3,100	R3,100
9ZE	<b>Audi phone box with LTE Support</b>	R10,100	R10,100	R10,100



Optional equipment		55	55 Advanced	55 S line
<u>Seats   Upholstery   Inlays</u>				
PS8	<b>Individual contour seats in front</b> The customized contour seat offers a particularly comfortable seating experience and a wide range of adjustment options. The seat height, the fore / aft position, the seat and backrest inclination of the front seats and the 4-way lumbar support can be electrically adjusted to the individual needs of the driver and front passenger.	R50,700	R50,700	R50,700
PV6	<b>Power seats in front including memory feature for both front seats</b>	R25,400	R25,400	R25,400
4A3	<b>Seat heaters in front</b>	R7,800	S	S
4A4	<b>Seat heaters in front and rear</b>	R15,500	R7,700	R7,700
4D8	<b>Seat ventilation and massage feature in front</b>	R31,100	R31,100	R31,100
4D3	<b>Seat ventilation in front</b>	R16,100	R16,100	R16,100
Q1D	<b>Sports seats in front</b>	R12,900	R12,900	R12,900
Q4Q	<b>Sports seats Plus in front</b>	R20,600	R20,600	R20,600
5ZC	<b>Variable head restraints for front seats</b>	R3,100	R3,100	R3,100
7HC	<b>Upper part of dashboard in leather</b>	R9,300	R9,300	R9,300
7HF	<b>Upper part of dashboard in leather and lower interior elements in leatherette</b>	R16,300	R16,300	R16,300
7HD	<b>Upper part of dashboard and lower interior elements in leather</b>	R21,100	R21,100	R21,100
7HM	<b>Upper part of dashboard and lower interior elements in leatherette</b>	R7,100	R7,100	R7,100



Optional equipment		55	55 Advanced	55 S line
<b><u>Seats   Upholstery   Inlays</u></b>				
N5K	<b>Dinamica® microfiber "Frequenz"/leather combination with embossed "S"</b> Dinamica Frequency microfibre is a breathable material with a sporty look. Includes: - seat centre panels of the front seats and of the two outer rear seats in Dinamica Frequency microfibre, black or rotor grey - seat side bolsters, head restraints, centre rear seat and centre armrest in leather, black or rotor grey with contrasting stitching - S embossing on the front seat backrests Only available with S line interior (WQS)	No cost	No cost	No cost
N5J	<b>Dinamica® microfiber/leather combination</b> Dinamica Frequency microfibre is a breathable material with a sporty look. Includes: · seat centre panels of the front seats and of the two outer rear seats in Dinamica microfibre, black or metropolis grey · seat side bolsters, head restraints, centre rear seat and centre armrest in leather, black or metropolis grey	R7,000	No cost	No cost
N4M	<b>Leather/leatherette "mono.pur 550" combination</b>	S	---	No cost
N5D	<b>Valcona leather</b>	R26,000	R8,100	R8,100
N2R	<b>Valcona leather with embossed "S"</b>	R26,000	R8,100	R8,100
N0K	<b>Valcona leather/Milano leather combination, perforated</b>	R26,000	R8,100	R8,100
NOQ	<b>Valcona leather/Milano leather combination, perforated, with piping</b>	R26,000	R8,100	R8,100
5MI	<b>Decorative inserts in Dark Brown Natural Sycamore</b>	---	R11,100	R11,100
5TG	<b>Decorative inserts in Matte Brushed Aluminum, dark</b>	R8,100	R8,100	R8,100
5MG	<b>Decorative inserts in Natural Burr Walnut</b>	R11,100	R11,100	R11,100
5MB	<b>Decorative inserts in Volcano Gray Natural Fine Grain Ash</b>	R11,000	R11,000	R11,000



Optional equipment		55	55 Advanced	55 S line
<b>Safety and Assistance systems</b>				
PCZ	<b>360-degree cameras + Parking aid Plus with 360° display</b> Assists with entering and exiting parking spaces and with maneuvering forwards and backwards by providing acoustic signals and visual display with virtual driving path display.	R8,100	R8,100	R15,000
6K8	<b>Audi pre sense front</b> Within system limits and depending on the situation and speed, Audi pre sense front can warn of imminent collisions and initiate suitable braking. The safety measures offered by Audi pre sense front include: · tensioning of the front and, if available, the outer rear seat belts · optimisation of the seat position · activation of the hazard warning lights to alert other road users · closing of the windows and the panoramic glass sunroof (if ordered)	R11,100	R11,100	R8,100
KS1	<b>Head-up display</b> The multicoloured head-up display is rich in contrast and projects driver information into the driver's direct field of view. It is highly visible and reduces distraction from the traffic.	R11,000	R11,000	R27,900
6I5	<b>Lane departure warning with emergency assist</b> The system warns the driver if the lane marking is inadvertently crossed. Steering pulses help the driver stay in lane. The integrated emergency assist can warn the driver of critical situations and, if necessary, initiate safety measures, such as optimisation of the seat position, and, if available, place an emergency call	R4,000	R7,100	R7,100
9R1	<b>Night vision assistant</b>	R43,200	R43,200	R43,200
7X5	<b>Park assist with parking aid plus</b> The system detects suitable parking spaces. Precise steering manoeuvres actively support you when entering or exiting parking spaces. Depending on steering angle and lane, a visual display warns the driver of obstacles at the sides.	R8,400	R8,400	R8,400
4X9	<b>Audi pre sense rear package</b> The package includes a selection of functions that increase the safety and comfort of occupants sitting on the rear seat bench. These include side airbags in the rear to supplement the front side airbags and the head airbag system. Both offer additional protection for rear passengers within system limits if required. Reversible rear seat belt tensioners supplement the reversible front seat belt tensioners contained in Audi pre sense basic. In addition to the measures included in Audi pre sense basic, the seat belts are tensioned early in response to emergency or evasive braking and when handling at the absolute limits of performance. This reduces the forward and lateral movement of the occupants in the rear. Illuminated belt buckles increase convenience for occupants and enhance the appearance of the interior with subtle, high-quality lighting. Searching around for the seat belt buckle in the dark has become a thing of the past.	R14,500	R14,500	R14,500
4X4	<b>Side airbags in front and rear and curtain airbag system</b> For the outer seats of the second seat row, to supplement the side airbags, front and head airbag system	R8,900	R8,900	R8,900

Vehicle driver assistance and safety systems are not a substitute for attentive driving. Drivers retain full responsibility for providing the necessary inputs for safe control of the vehicle. System descriptions within this brochure are provided for information purposes only. System limitations and operational requirements apply.



Optional equipment		55	55 Advanced	55 S line
<b>Safety and Assistance systems</b>				
8T8	<b>Adaptive cruise control with speed limiter, efficiency assist, swerve assist and turn assist</b>	R30,700	R30,700	R30,700
6I6	<b>Adaptive cruise assist with emergency assist</b> Includes: · adaptive cruise control · active lane assist · emergency assist Forces 8T8 and PCM	R7,400	R7,400	R7,400
PCM	<b>City assistance package</b> Includes: · intersection assist · side assist · exit warning · rear cross-traffic assist · Audi pre sense 360° – the combination of Audi pre sense basic, Audi pre sense front, Audi pre sense rear and Audi pre sense side Forces 8T8 and 6I6	R9,500	R9,500	R9,500



Optional equipment		55	55 advanced	55 S line
<b>Exterior equipment</b>				
3S1	<b>Aluminum roof rails</b>	R8,100	R8,100	R8,100
3S2	<b>Black roof rails</b>	R8,100	R8,100	R8,100
3FU	<b>Panoramic glass sunroof</b>	R30,000	R30,000	R30,000
1D2	<b>Trailer hitch</b>	R15,900	R15,900	R15,900
1D8	<b>Trailer hitch preparation</b>	R4,000	R4,000	R4,000
VC2	<b>Garage door opener</b> This radio-operated remote control is freely programmable. Users can customise the names given to touchscreen areas for operation. Up to eight different radio-controlled garage doors, exterior gates or security and lighting systems in total can be stored. When approaching the stored location, a relevant pop-up appears to trigger the transmit operation. A user-friendly set-up assistant for the system – complete with the relevant owner’s manual information – is available via the MMI.	R5,000	R5,000	R5,000
GZ2	<b>Power latching for doors</b>	R12,900	R12,900	R12,900
PC2	<b>Brake calipers painted in Orange (18-inch)</b>	R8,100	R8,100	R8,100
<b>Charging systems</b>				
73Q	<b>Industrial cable for 3-phase 32A (replaces 73N for 1-phase)</b>	No cost	No cost	No cost
73P	<b>Industrial cable for 3-phase 16A (replaces 73N for 1-phase)</b>	No cost	No cost	No cost
NW2 + KB4 + JS1	<b>AC charging at 22kW, includes: e-tron charging system "connect" up to 22 kW, On-board charger up to 22 kW (AC), Second charging access</b>	R55,100	R55,100	R55,100



## Important information

### Welcome to Audi

#### **Audi Freeway Plan | Motoring Peace of Mind**

There can be no better motoring peace of mind than knowing that your car will be serviced, maintained and repaired, should this prove necessary, at no cost to you. Thanks to Audi Freeway Plan, that peace of mind could be yours.

The Audi Freeway Plan absorbs all maintenance and service costs, with the exception of between-service top-up fluids, fuel, cracked or broken glass, and tyres.

A five-year or 100 000 km Audi Freeway Plan is included as standard on all new Audi vehicles.

Top-up options to extend maintenance up to 10 years, or 300 000 km are available at extremely competitive rates. Audi has specially designed the Audi Freeway Plan for easy operation on the part of the owner. Making an appointment with any one of our approved Audi Servicing Dealers can effect regular servicing and maintenance as well as repairs (with the exception of accident damage).

All work is handled by the relevant service department, which will liaise directly with the Audi Freeway Plan Maintenance Unit. No extra effort or payment is required from the Audi owner. The Audi Freeway Plan is registered with the vehicle and as such is transferable to the new owner should the car be sold before the Audi Freeway Plan has expired, giving added resale value. The Audi Freeway Plan is available in addition to the Audi's standard one-year/unlimited distance vehicle warranty. The Audi Freeway Plan is subject to certain exclusions, covers any repairs necessary after the expiry of the standard warranty.

#### **Audi Assist | Emergency and Personal Assistance**

Audi Assist is a programme whereby Audi of South Africa and its Dealer Network pledge to provide you with peace of mind motoring by providing the infrastructure to support a countrywide emergency service 24 hours a day, every day.

The programme is known as Audi Assist and operates within the borders of South Africa as well as Namibia and Botswana. The objective of the programme is to ensure on the spot roadside assistance offered by a fully equipped and trained Audi technician.

The primary focus is to get you mobile in your own vehicle. Where a roadside repair cannot be effected and the vehicle needs to be towed to the nearest Audi dealer, you and the occupants of the vehicle will be transported to a place of safety in the dealer's roadside assistance vehicle.

Contact details within South Africa:

086 043 4838

Contact details for neighbouring states:

+27 41 994 5616

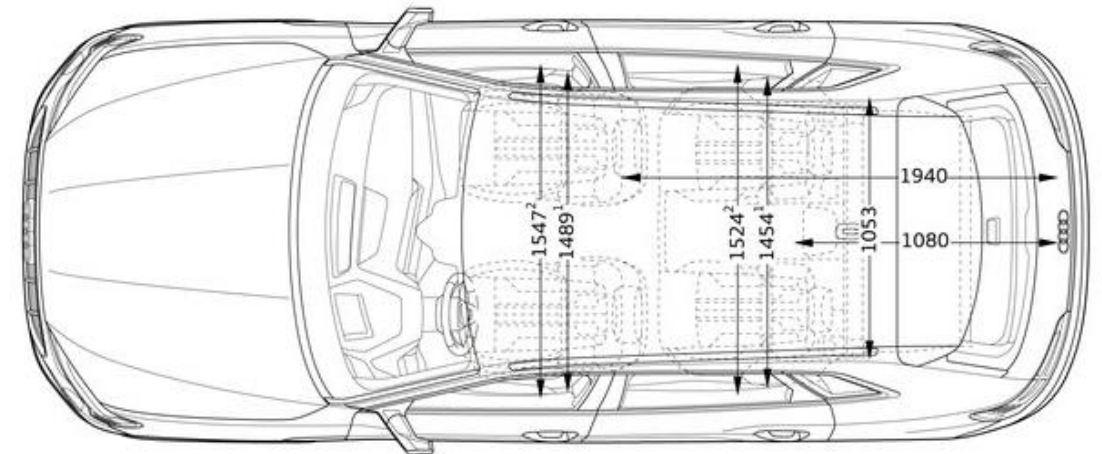
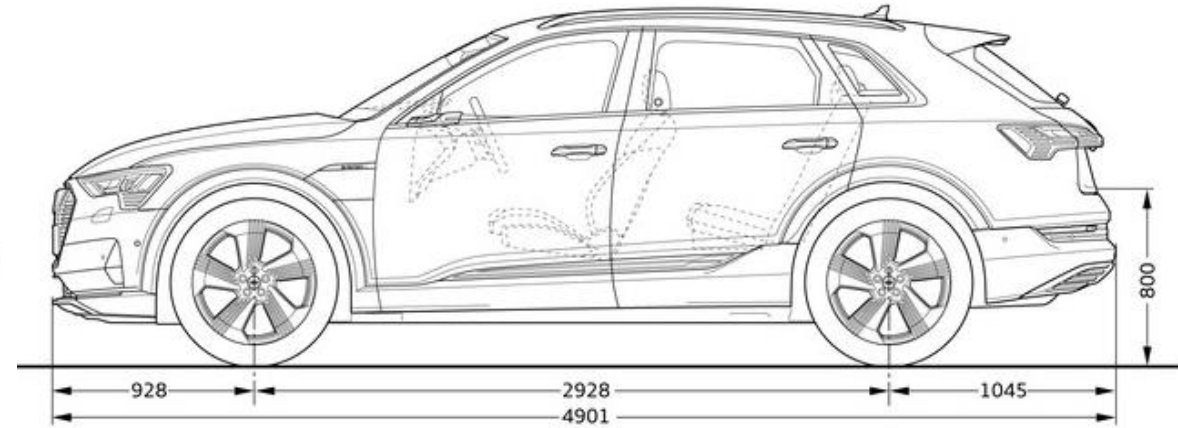
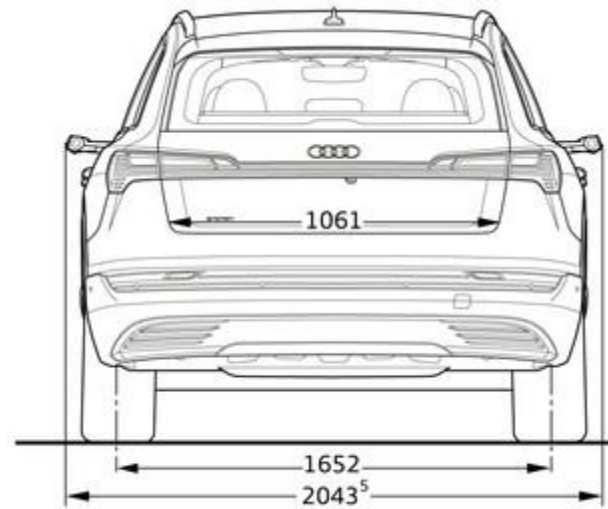
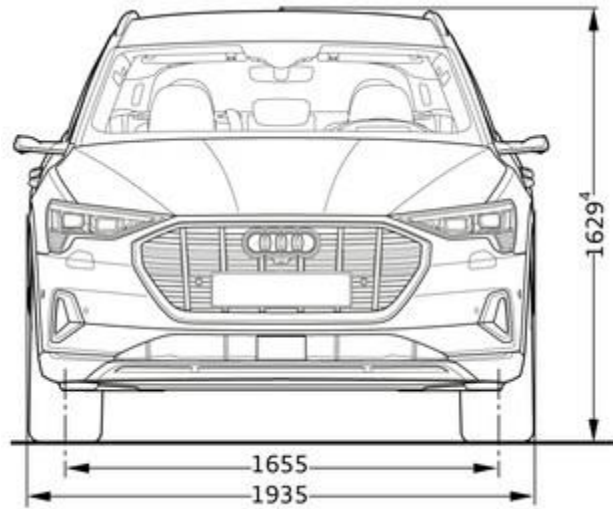
24 hours a day, 7 days a week

Vehicle model and VIN number will be required.



## Audi e-tron Dimensions

All the measurements you need



Audi e-tron luggage compartment capacity – 660/1725 l

<sup>1</sup>Width shoulder space  
<sup>2</sup>Width elbow space  
<sup>3</sup>Maximum head space  
<sup>4</sup>Vehicle height with roof antenna  
<sup>5</sup>Vehicle width with exterior mirror +146 mm  
Data in millimetres

# e-tron



## Information in this pricelist

We've done all we can to make the prices, specifications, technical details and all other information you see in this pricelist accurate at the time of publication. We reserve the right to change prices or specification at any time. All prices shown include VAT, which is currently charged at 15%. Recommended retail pricing is not binding and is inclusive of a 5 year/100,000km Audi Freeway Plan.

Please check model availability and full specification details with your Audi Dealership prior to ordering. Neither Audi South Africa nor Audi Dealers can accept contractual responsibility for your reliance on the information contained in this pricelist. Performance figures and specifications relating to Audi vehicles are indicative only and performance cannot be guaranteed. Performance figures and specifications may be updated from time to time, when new test results or other information become available. Your local Audi Dealership can always provide you with the most up-to-date information available. Written and visual depictions (including photographs) of vehicles, are for illustrative purposes only and should not be relied upon. Some illustrations may not accurately reflect South African specifications (including paint and trim colours) and may not be available. If in doubt, always contact your local Audi Dealership.