

RS 6 Avant Performance

RS 7 Sportback Performance

September 2024

The Audi RS 6 Avant Performance & RS 7 Sportback Performance

More powerful and faster than any RS 6 and RS 7 to date: new Audi RS 6 Avant performance and the RS 7 Sportback performance are bursting with extras that sharpen the models appearance and make for a more emotive driving experience. The potent 4.0-liter V8 biturbo TFSI engine now has an engine power of 463 kW and a maximum torque of 850 Nm.

This pricelist will make it easy for you to build your preferred bodystyle, taking you through all the option choices. The online configurator is also available to build your dream car.



RS 6 Avant Performance | RS 7 Sportback Performance



Engine and Pricing

Engine	Fuel type	Transmission	Power output (kW)	Torque (Nm)	Fuel consumption (l/100 km)			CO ₂ emissions (g/km)	0 – 100 km/h (sec)	Top speed (km/h)	RRP*
					Urban	Extra urban	Combined				
RS 6 Avant TFSI quattro Performance	Petrol	tiptronic	463	850	15.8	9.1	11.6	264	3.4	250	R 2,370,300
RS 7 Sportback TFSI quattro Performance	Petrol	tiptronic	463	850	15.7	8.9	11.4	260	3.4	250	R 2,482,900

Fuel consumption and CO₂ data applies to the German Market. The specified values are determined in accordance with certain test procedures. The specifications do not refer to an individual vehicle but serve only as a basis for comparing the different types of vehicles. In addition, the consumption figures achieved during normal driving may differ from the test values, depending in particular on special equipment fitted, vehicle loading, personal driving style, road and traffic conditions, environmental factors and conditions of the car.

* RRP is inclusive of VAT, CO₂ emissions tax and an optional 5 year/100,000km Audi Freeway Plan



Standard Equipment

Wheels:

- ▶ Anti-theft wheel bolts and loose wheel warning
- ▶ Direct tyre pressure monitoring system
- ▶ tyre mobility system
- ▶ tyres 285/30 ZR22 101Y xl
- ▶ Tool kit
- ▶ Wheels, 5-V-spoke trapezoidal style, Matte Titanium Gray, diamond-turned, 10.5J x 22, 285/30 R22 tyres (Std for RS 6 Avant Perf)
- ▶ Wheels, 5-V-spoke structure style, Matte Titanium Gray, diamond-turned, 10.5J x 22, 285/30 R22 tyres (Std for RS 7 Sportback Perf)

Performance and suspension:

- ▶ 48-V electric system and active battery cooling
- ▶ Audi drive select
- ▶ Progressive steering
- ▶ quattro (with self-locking center differential)
- ▶ RS adaptive air suspension
- ▶ RS sports exhaust system
- ▶ Mild hybrid
- ▶ quattro

Lighting:

- ▶ HD Matrix LED headlamps with Audi laser light, dynamic light

design and dynamic turn signal

- ▶ Headlamp washer system
- ▶ LED entry lighting with "RS performance" projection
- ▶ LED rear combination lamps with dynamic light design and dynamic turn signal
- ▶ Separate daytime running light

Interior:

- ▶ 4-way lumbar support for the front seats
- ▶ 4-zone climate control system
- ▶ Airbags in front, front passenger airbag can be deactivated
- ▶ Ambient Lighting package plus
- ▶ Anti-theft alarm system
- ▶ Auto-dimming interior rearview mirror, frameless
- ▶ Comfort center armrest in front
- ▶ Controls in perforated Fine Nappa leather
- ▶ Decorative inlays "Aluminium Race", Anthracite
- ▶ First aid kit with warning triangle and safety vests
- ▶ Floor mats in front and rear
- ▶ Glossy Black operating buttons with haptic feedback and aluminium Look interior
- ▶ Head restraints in front
- ▶ Headliner in Black fabric
- ▶ Pedals and footrest in stainless steel
- ▶ Seat heaters in front

- ▶ Seat ventilation in front
- ▶ Split-folding rear seat backrest
- ▶ Sports contour leather-wrapped multi-func. steering wheel, w/ heating + shift paddles, 3-spoke, flat-bottomed
- ▶ Sports seats Plus in front
- ▶ Storage package
- ▶ Upper and lower interior elements in leatherette
- ▶ Valcona Leather package with honeycomb stitching

Safety and convenience:

- ▶ Audi pre sense basic
- ▶ Comfort key with sensor-controlled luggage compartment release with SAFELOCK
- ▶ Cruise control system with speed limiter
- ▶ Electric steering wheel adjustment
- ▶ ISOFIX child seat anchors and top tether for outer rear seats
- ▶ ISOFIX child seat anchors for front passenger seat
- ▶ Luggage compartment lid, electrically opening and closing
- ▶ Parking aid Plus
- ▶ Power front seats with memory feature for the driver seat
- ▶ Rear view camera system
- ▶ Seat belt reminder
- ▶ Side airbags in front and rear incl. curtain airbag system and illuminated seat belt buckles



Standard Equipment continued...

Exterior:


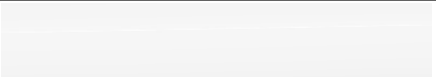





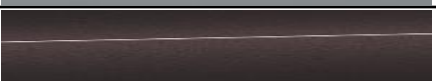




- ▶ Acoustic glass for door and side windows
- ▶ Exterior mirrors, power-adjustable, heated and power-folding, auto-dimming, with memory feature
- ▶ Left exterior mirror, convex
- ▶ Matte Gray exterior mirror housing
- ▶ Matte Gray roof rails
- ▶ Matte Gray RS exterior parts
- ▶ Matte Gray window trims with Audi Rings and type marking in chrome appearance
- ▶ Model designation as per new engine power designation
- ▶ Panoramic glass sunroof
- ▶ Rear window, rear door windows and side windows in clear glass
- ▶ Refrigerant R1234yf
- ▶ Right exterior mirror, aspherical
- ▶ RS bumpers
- ▶ RS roof spoiler
- ▶ RS scuff plates
- ▶ RS steel brakes in front with Glossy Red brake calipers
- ▶ RS steel brakes in rear with Glossy Red brake calipers
- ▶ Windshield with heat-reflecting glass
- ▶ Electric rear spoiler
- ▶ Panoramic glass sunroof

Audio & Communications:

- ▶ Audi connect Emergency Call & Service with Audi connect Remote & Control
- ▶ Audi connect Navigation & Infotainment
- ▶ Audi phone box
- ▶ Audi virtual cockpit plus with additional RS layout
- ▶ Bang & Olufsen premium sound system with 3D sound
- ▶ MMI navigation plus with MMI touch response
- ▶ Smartphone interface
- ▶ Top infotainment system Premium (MIB3)
- ▶ USB ports with charging function in rear



Paint

			RS 6 Avant	RS 7 Sportback
T3T3		Nardo Grey	No Cost	No Cost
Z9Z9		Arkona White	No Cost	No Cost
0E0E		Mythos Black Metallic	No Cost	No Cost
9W9W		Ascari Blue Metallic	No Cost	No Cost
S5S5		Grenadine Red Metallic	No Cost	No Cost
2Y2Y		Glacier White Metallic	No Cost	No Cost
L5L5		Floret Silver Metallic	No Cost	No Cost
9E9E		Madeira Brown Metallic	No Cost	No Cost
6Y6Y		Daytona Grey Pearlescent	R 18,370	R 18,370
R5R5		Sebring black crystal effect	R36,300	R36,300
Q0Q0		Individual paint finish, Audi exclusive*	R 83,900	R 83,900
0000		Individual matte paint finish, Audi exclusive*	R 131,500	R 131,500

Options are subject to availability and may extend time taken for delivery. All the colour swatches on this page are matched as accurately as possible to the actual paint colours used. Audi South Africa cannot guarantee that colours shown are 100% accurate. Visit your local Audi Centre for a more accurate colour swatch. *Audi exclusive paint choices are limited & subject to factory approval. Visit your local Audi Centre for colour samples.



Wheels & tyres

		RS 6 Avant	RS 7 Sportback
CG3	Wheels, 5-spoke Y-style, Matte Neodymium Gold, 10.5J x 22, 285/30 R22 tyres	47,600	47,600
C2C	Wheels, 5-spoke Y-style, Matte Grey, 10.5J x 22, 285/30 R22 tyres	47,600	47,600
CA1	Wheels, 5-spoke Y-style, Metallic Black, diamond-turned, 10.5J x 22, 285/30 R22 tyres	49,900	49,900
56U	Wheels, 5-V-spoke structure style, Black, 10.5J x 22, 285/30 R22 tyres	No cost	No cost
52E	Wheels, 5-V-spoke structure style, Matte Titanium Gray, diamond-turned, 10.5J x 22, 285/30 R22 tyres	No cost	S
53G	Wheels, 5-V-spoke trapezoidal style, Matte Titanium Gray, diamond-turned, 10.5J x 22, 285/30 R22 tyres	S	No cost
H54	Performance tyres by Continental, 285/30 R22 (forces CG3/C2C/CA1)	No cost	No cost



CG3



53G - Standard RS 6



52E - Standard RS 7



CA1



56U

--- = Not Available S = Standard



Optional extras

Equipment packages:		RS 6 Avant	RS 7 Sportback
PA6	<p>Black Styling package Contains the following equipment:</p> <ul style="list-style-type: none"> • Front spoiler, side flaps at the front, side sill inserts, rear diffuser and trim strips on the side windows in gloss black • Roof rails in black (RS 6 only) <p>Available with: Audi Rings and nameplates in black (4ZP) at additional cost</p>	18,500	18,500
4ZP	<p>Black Styling package Plus Audi rings and nameplates in black (forces PA6/PQA/PQE at an additional cost)</p>	6,700	6,700
PQA	<p>Carbon/Black Appearance package RS exterior content at the front with large air inlets in gloss black & front spoiler and single-frame mask in gloss carbon; rear diffuser insert in gloss black and horizontal bar & trim on the luggage compartment lid below the light strip in carbon gloss; Decorative strips on the side windows in gloss black, Audi rings and lettering in chrome - optionally available with Audi rings and lettering in gloss black (4ZP). Only available with black mirror housings (6FJ) or carbon mirror housings (6FQ) at additional cost.</p>	105,400	105,400
PQE	<p>Matte Carbon/Black Appearance package Contains the following equipment:</p> <ul style="list-style-type: none"> • Front blade, side flaps, inserts for sill extensions and rear diffuser in matte carbon • Trim strips on the side windows and rear diffuser insert in gloss black • Roof rails in matte black (RS 6 only) <p>Available with: Audi Rings and nameplates in black (4ZP) at additional cost</p>	110,000	110,000
PA2	<p>RS dynamic package plus -Top speed increase to 280km/h. -Dynamic all wheel steering: dynamic all-wheel steering with RS-specific software adaptation supports the driver with active steering interventions on the front and rear axles -quattro with sport differential: permanent all-wheel drive with self-locking center differential and sport differential on the rear axle. Classic rear axle differential has been expanded to include two superimposed units with electronically controlled multi-plate clutches.</p>	90,000	90,000



Optional extras

Equipment packages:		RS 6 Avant	RS 7 Sportback
PEI PEJ PEB	<p>RS Styling package, plus (blue/red/grey) Contains the following equipment:</p> <ul style="list-style-type: none"> • Seat centre panels in Valcona leather, black with coloured perforation in blue/red/grey • RS logo embroidered in seats in blue/red/grey • Steering wheel rim in Alcantara, black with contrasting stitching • Selector lever handle in Dinamica microfibre, black • Selector lever gaiter in fine Nappa leather, black with contrasting stitching • Instrument panel and door rails in fine Nappa leather, black • Centre armrest in Dinamica microfibre, black with contrasting stitching • Door armrests in Dinamica microfibre, black with contrasting stitching • Sides of the centre console in Dinamica microfibre, black with contrasting stitching • Inlays in Dinamica microfibre, black • Seat belts in black with blue/red/grey edge • Floor mats in black with contrasting stitching and RS logo on front mats 	64,500	64,500

- PEI – RS Design package plus in Blue
- PEJ – RS Design package plus in Red
- PEB – RS Design package plus in Grey
- Contrasting stitching in blue/red/grey
- PEI – available with optional blue inlay at an additional cost (5TT)



Optional extras

Exterior equipment:		RS 6 Avant	RS 7 Sportback
6FA	Body-colored exterior mirror housings	No cost	No cost
6FJ	Exterior mirror housings in Black	2,400	2,400
6FQ	Carbon exterior mirror housings	20,000	20,000
6FM	Exterior mirror housings in matte carbon	20,000	20,000
3S2	Black roof rails	No cost	---
GZ2	Power latching for the doors	12,200	12,200
1D4	Trailer hitch	12,700	---
Interior equipment:			
4A4	Seat heaters in front and rear	7,100	7,100
7HF	Upper and lower interior elements in leather	13,900	13,900
5MK	Decorative inserts in Carbon Twill Structure	16,800	16,800
5TT	Decorative inserts in Carbon Twill Structure with Blue contrast	21,800	21,800
7TH	Dinamica microfiber decorative inserts, Black	No cost	No cost
4A4	Seat heaters in front and rear	7,100	7,100

--- = Not Available S = Standard



Optional extras

Infotainment and Assistance systems:		RS 6 Avant	RS 7 Sportback
8RF	<p>Bang & Olufsen Advanced Sound System with 3D sound Sound playback via 23 loudspeakers including 3D sound at the front and rear with a total output of 1,920 watts; Loudspeakers, centre speakers and subwoofers each with their own separate power amplifier and exclusive loudspeaker covers made of aluminum and high-quality neodymium magnets; Centre speaker as well as two automatically extending acoustic lenses on the instrument panel for extremely detailed acoustic presentation at every seat; dynamic driving noise compensation; 23-channel BeoCore amplifier; spatial sound reproduction through the 3D sound feature in the front and rear: This is generated by additional broadband loudspeakers in the A-pillar and in the rear roof liner, by the mid-range speakers and by the new Fraunhofer Symphoria technology.</p>	118,500	118,500
6K8	<p>Audi pre sense front Audi pre sense front warns of collisions and reduces speed in an emergency. It uses the data from the front camera and calculates the likelihood of a rear-end collision; can warn of impending collisions within the system limits, depending on the situation and speed, and initiate appropriate braking. The system is active from approx. 5 km/h. Pedestrians and cyclists can be detected in a speed range of up to approx. 85 km/h and vehicles in a speed range of up to 250 km/h. If an impending front-end collision is detected, the system warns the driver optically, acoustically and haptically in a multi-stage concept. If necessary, braking assistance or full deceleration can be initiated in order to reduce the speed or avoid a collision under certain circumstances.</p>	9,000	9,000
KS1	<p>Head-up display Projects driving-relevant information directly into the driver's field of vision.</p>	25,130	25,130
PCH	<p>Lane change warning incl. Audi pre sense rear, exit warning system and rear cross traffic assist A combination of assistance packages for support in critical traffic situations:</p> <ul style="list-style-type: none"> • Lane change warning: supports the driver in monitoring the blind spot and the traffic behind the vehicle. • Exit warning: warns of a possible collision with traffic coming from behind when the door is open & the vehicle is stationary. • Rear cross traffic assistant: warns of a possible collision with approaching cross traffic when reversing up to 10 km/h. 	15,700	15,700
9R1	<p>Night vision assistant The night vision assistant improves difficult visibility in the dark through electronic visualization of the area around the road. The system supports the driver when driving at night by displaying a thermal image of the surroundings. Recognized people and larger wild animals are highlighted in yellow in the driver information system.</p>	38,930	38,930
PCV	<p>Park Assist package with park assist plus The package contains assistance systems that can make parking and maneuvering more convenient through surrounding cameras. Four wide-angled surrounding cameras cover the entire area immediately around the vehicle and enable a variety of different views for even more comfortable maneuvering. The views can be controlled via the upper MMI display. The parking assistant plus which is activated via the P button in the center console enables parking in and out of parking spaces. The vehicle takes over steering, acceleration, braking and switching off the engine.</p>	22,000	22,000



Important information

Welcome to Audi

Audi Freeway Plan | Motoring Peace of Mind

There can be no better motoring peace of mind than knowing that your car will be serviced, maintained and repaired, should this prove necessary, at no cost to you. Thanks to Audi Freeway Plan, that peace of mind could be yours.

The Audi Freeway Plan absorbs all maintenance and service costs, with the exception of between-service top-up fluids, fuel, cracked or broken glass, and tyres.

Recommended retail pricing is inclusive of an optional 5 year/100,000 km Audi Freeway Plan on all new Audi vehicles.

Top-up options to extend maintenance are available at extremely competitive rates. Audi has specially designed the Audi Freeway Plan for easy operation on the part of the owner. Making an appointment with any one of our approved Audi Servicing Dealers can effect regular servicing and maintenance as well as repairs (with the exception of accident damage).

All work is handled by the relevant service department, which will liaise directly with the Audi Freeway Plan Maintenance Unit. No extra effort or payment is required from the Audi owner. The Audi Freeway Plan is registered with the vehicle and as such is transferable to the new owner should the car be sold before the Audi Freeway Plan has expired, giving added resale value. The Audi Freeway Plan is available in addition to Audi's standard one-year/unlimited distance vehicle warranty. The Audi Freeway Plan is subject to certain exclusions, covers any repairs necessary after the expiry of the standard warranty.

Audi Assist | Emergency and Personal Assistance

Audi Assist is a programme whereby Audi of South Africa and its Dealer Network pledge to provide you with peace of mind motoring by providing the infrastructure to support a countrywide emergency service 24 hours a day, every day.

The programme is known as Audi Assist and operates within the borders of South Africa as well as Namibia and Botswana. The objective of the programme is to ensure on the spot roadside assistance offered by a fully equipped and trained Audi technician.

The primary focus is to get you mobile in your own vehicle. Where a roadside repair cannot be effected and the vehicle needs to be towed to the nearest Audi dealer, you and the occupants of the vehicle will be transported to a place of safety in the dealer's roadside assistance vehicle.

Contact details within South Africa:

086 043 4838

Contact details for neighbouring states:

+27 41 994 5616

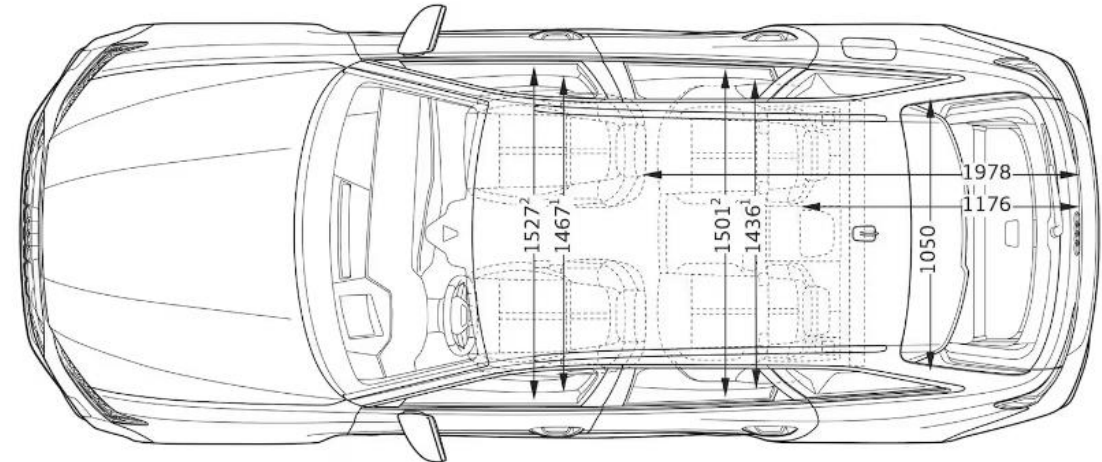
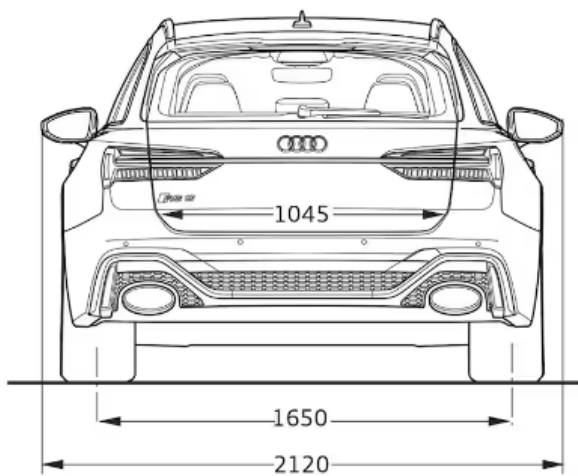
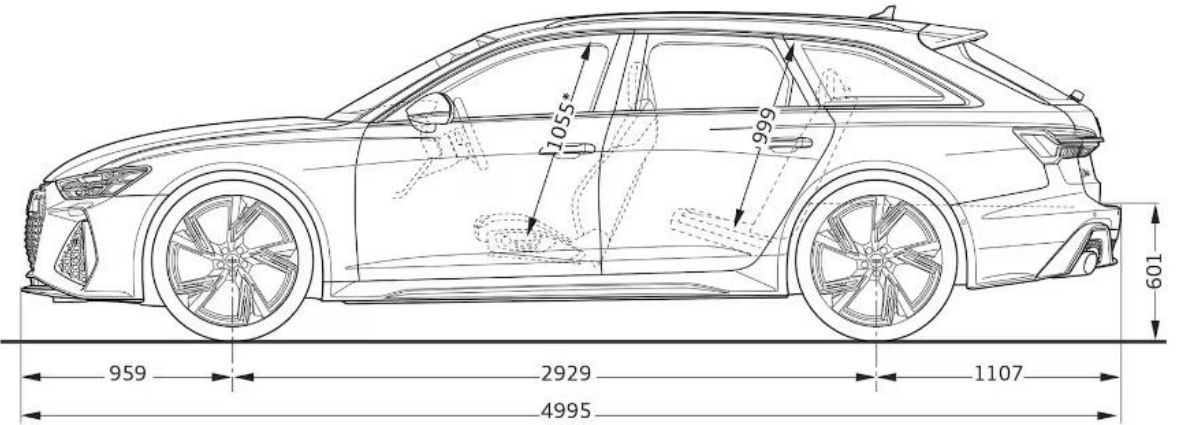
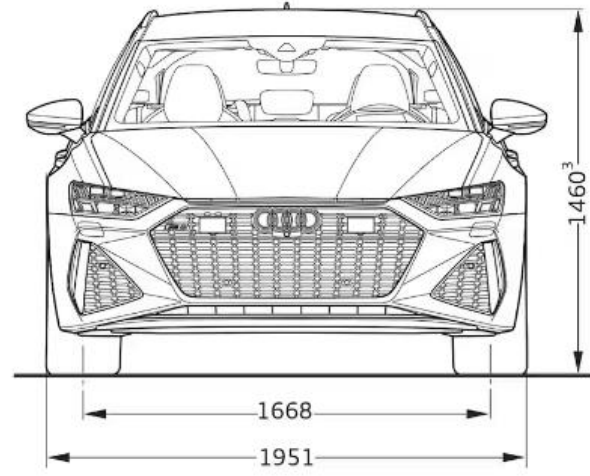
24 hours a day, 7 days a week

Vehicle model and VIN number will be required.



RS 6 Avant dimensions

All the measurements you need

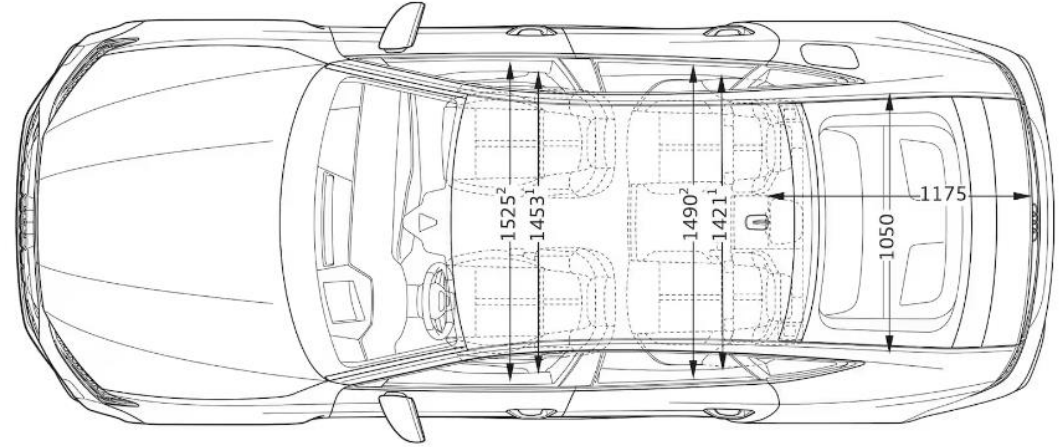
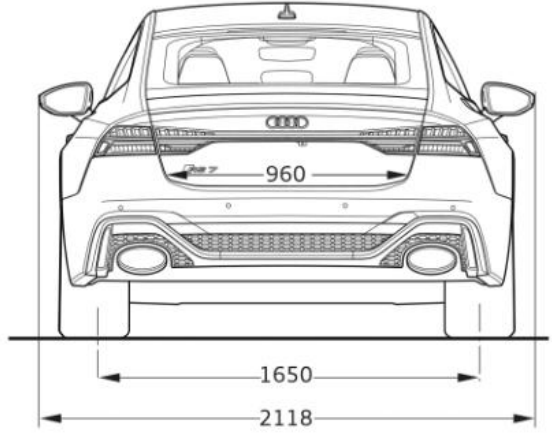
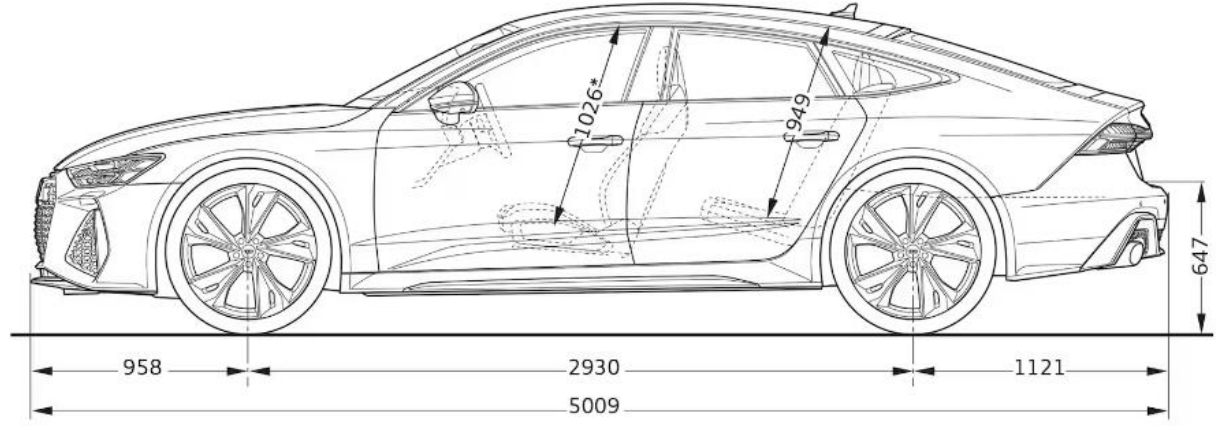
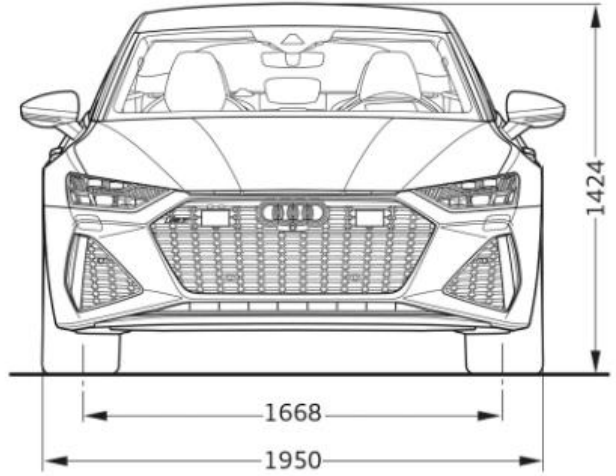


Luggage capacity = 548l



RS 7 Sportback dimensions

All the measurements you need



Luggage capacity = 523l

RS 6 Avant Performance | RS 7 Sportback Performance



Information in this pricelist

We've done all we can to make the prices, specifications, technical details and all other information you see in this pricelist accurate at the time of publication. We reserve the right to change prices or specification at any time. All prices shown include VAT, which is currently charged at 15%. Recommended retail pricing is not binding on the dealer and is inclusive of an optional 5 year/100,000km Audi Freeway Plan. Pricing and specification is valid for vehicles produced from model year 2025 onwards.

Please check model availability and full specification details with your Audi Dealership prior to ordering. Neither Audi South Africa nor Audi Dealers can accept contractual responsibility for your reliance on the information contained in this pricelist. Performance figures and specifications relating to Audi vehicles are indicative only and performance cannot be guaranteed. Performance figures and specifications may be updated from time to time, when new test results or other information become available. Your local Audi Dealership can always provide you with the most up-to-date information available. Written and visual depictions (including photographs) of vehicles, are for illustrative purposes only and should not be relied upon. Some illustrations may not accurately reflect South African specifications (including paint and trim colours) and may not be available. If in doubt, always contact your local Audi Dealership.