

S5

Cabriolet

The Audi S5

Feel the eloquent dynamics of the S5 Cabriolet and you'll be converted. The chiselled contours and a coupé silhouette characterise the alluring design concept with state-of-the-art technologies and a powerful engines to match.

This pricelist will make it easy for you to build your S5, taking you through all the option choices. The online configurator is also available to build your dream car.





Engines

Engine	Fuel type	Transmission	Power output (kW)	Torque (Nm)	Fuel consumption (l/100 km)			CO ₂ emissions (g/km)	0 – 100 km/h (sec)	Top speed (km/h)	RRP*
					Urban	Extra urban	Combined				
S5 TFSI quattro	Petrol	tiptronic	260	500	12.2	7.3	9.1	209	4.9	250	R 1,372,500

Fuel consumption and CO₂ data applies to the German Market. The specified values are determined in accordance with certain test procedures. The specifications do not refer to an individual vehicle but serve only as a basis for comparing the different types of vehicles. In addition, the consumption figures achieved during normal driving may differ from the test values, depending in particular on special equipment fitted, vehicle loading, personal driving style, road and traffic conditions, environmental factors and conditions of the car.

* RRP is inclusive of VAT, CO₂ emissions tax and an optional 5 year/100,000km Audi Freeway Plan



Standard Equipment | S5 Cabriolet

Wheels:

- ▶ 19-inch double-arm style (S style), Graphite Gray, diamond turned
- ▶ Anti-theft wheel bolts
- ▶ Space-saving spare wheel
- ▶ Tyre pressure monitoring system

Performance & suspension:

- ▶ Audi Drive Select
- ▶ Cruise control system with speed limiter
- ▶ Electromechanical power steering
- ▶ Hill hold assist
- ▶ quattro with self locking center differential
- ▶ Start/stop system

Lighting:

- ▶ Headlamp washer system
- ▶ Matrix LED headlamps with dynamic turn signal
- ▶ LED rear combination lamps with dynamic turn signal

Exterior equipment:

- ▶ Audi pre sense basic
- ▶ Acoustic windscreen
- ▶ Anti-theft alarm
- ▶ Comfort key with SAFELOCK

- ▶ Exterior mirror housings in aluminium look
- ▶ Exterior mirrors, power-adjustable and heated
- ▶ Fully automatic acoustic top
- ▶ High-Gloss styling package
- ▶ Red brake callipers

Audio & communication:

- ▶ Audi sound system
- ▶ Audi connect Emergency Call & Service with Audi connect Remote & Control
- ▶ Audi smartphone interface
- ▶ Audi virtual cockpit Plus
- ▶ Bluetooth interface

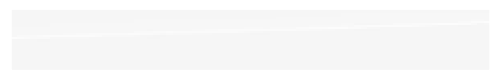









Interior equipment:

- ▶ 3-zone climate control system
- ▶ Ambient lighting package plus
- ▶ Auto-dimming interior rearview mirror, frameless
- ▶ Comfort center armrest in front
- ▶ Tool kit and jack
- ▶ Dashboard accent surfaces painted in Glossy black
- ▶ Decorative inserts in matte brushed aluminium
- ▶ Electric front seats
- ▶ First aid kit and warning triangle and safety vests
- ▶ Floor mats in front and rear

- ▶ Pneumatically adjustable lumbar support with massage feature for the front seats
- ▶ Front seat convenience entry function
- ▶ Full-size airbags with front passenger airbag deactivation
- ▶ Headliner in fabric
- ▶ Head restraints in front
- ▶ ISOFIX child seat anchors and top tether for the rear seats
- ▶ ISOFIX child seat anchors for front passenger seat
- ▶ Sports contour leather-wrapped steering wheel w/ multi-function Plus, 3-spoke, flat-bottomed
- ▶ Fine nappa leather with embossed "S" upholstery
- ▶ Luggage compartment lid, automatically opening
- ▶ Luggage compartment floor mat
- ▶ Parking aid front and rear
- ▶ Pedals and foot rest in stainless steel
- ▶ Rear bench seat with storage tray in the seat
- ▶ Rear view camera system
- ▶ Side airbags in front
- ▶ Sports seats Plus in front
- ▶ Standard exhaust system
- ▶ Scuff plates with aluminum inserts in front, illuminated, with "S" logo
- ▶ Sports suspension
- ▶ S model bumpers

S5 Cabriolet






Paint			S5 TFSI
Z9Z9		Arkona white	R0
Z7Z7		Chronos Grey, metallic	R0
9W9W		Ascari Blue, metallic	R0
2D2D		Navarra Blue, metallic	R0
2Y2Y		Glacier White, metallic	R0
M4M4		District Green, metallic	R0
0E0E		Myth Black, metallic	R0
Y1Y1		Progressive red Metallic	R0
6Y6Y		Daytona Grey, pearlescent	R13,900
Q0Q0		Audi exclusive paint finish*	R50,000

Options are subject to availability and may extend time taken for delivery. All the colour swatches on this page are matched as accurately as possible to the actual paint colours used. Audi South Africa cannot guarantee that colours shown are 100% accurate. Visit your local Audi Centre for a more accurate colour swatch.

*Audi exclusive paint is subject to factory approval. Visit your local Audi Centre for colour samples.

S5 Cabriolet



Hood colours			S5 TFSI
PA		Black	R0
SW		Grey	R0
SF		Red	R0
PW		Brown	R0

Options are subject to availability and may extend time taken for delivery. All the colour swatches on this page are matched as accurately as possible to the actual paint colours used. Audi South Africa cannot guarantee that colours shown are 100% accurate. Visit your local Audi Centre for a more accurate colour swatch.

*Audi exclusive paint is subject to factory approval. Visit your local Audi Centre for colour samples.

Wheels & tyres

		S5 TFSI
42D	Alloy wheels, 5-double-arm style (S style), Graphite Gray, diamond-turned, 8.5J x 19, 255/35 R19 tyres	S
42E	Alloy wheels, 5-double-arm style, Matte Titanium Gray, diam.-turn., 8.5J x 19, 255/35 R19 tyres, Audi Sport GmbH	R10,600
45Y	Alloy wheels, 5-double-spoke polygon style, Black, diamond-turned, 9.0Jx20, 265/30 R20 tyres, Audi Sport GmbH	R23,400
42H	Audi Sport cast alloy wheels, 5-V-spoke star style, Matte Titanium Look, diam.- turned, 9J x 20, 265/30 R20 tyres	R23,400

19"



42D
Std S5



42E

20"



45Y



42H



Optional Equipment

Equipment packages:		S5 TFSI
WDP	Technology package <ul style="list-style-type: none"> • MMI navigation plus with MMI touch • Audi Connect (full functionality) • Contour ambient lighting 	R32,300
4ZD	Black Appearance package	R9,150
4ZP	Black styling package plus with black rings	R12,500
Lighting:		S5 TFSI
PXB	Matrix LED headlamps with Audi laser light, LED rear combination lamps and headlamp washer system Provides precise illumination of the road whilst reducing the risk of dazzling other road users. Using information obtained from the vehicle's sensors, camera and MMI Navigation (if equipped), it identifies the appropriate lighting required. Using these sources, Matrix LED dips or fully extinguishes individual lighting diodes when vehicles are detected ahead. Matrix LED calculates the appropriate lighting required and automatically dips or turns off individual lighting diodes, creating corridors of light either side of the vehicle or the object in front of it. Includes dynamic front and rear indicators which sweep from inside to out. The Audi laser light supplements the LED high beam at higher speeds and provides the driver with a noticeable increase in safety and comfort thanks to its almost twice as long range.	R12,950
9TF	Door entrance LED lighting with logo projector in front	R2,150
Roof/locking/towing systems:		
1D4	Trailer towing hitch Manually swiveling ball head with electric release. Operated via a button in the luggage compartment.	R15,300
PGD	Convenience key with sensor-controlled luggage compartment release including anti-theft alarm Allows the driver to keep their key in their pocket or bag at all times. To unlock and open, simply lift the exterior door handle. Pressing the start/stop button integrated in the centre console, switches the engine on and off.	S



Optional Equipment

Mirrors:		
6XL	Door mirrors (folding with auto-dimming and memory function) Auto-dimming with memory function, electrically folding, adjustable and heated with built-in LED side indicators and kerb-view function for passenger side. Only available in combination with electrically adjustable front seats with memory function (PV3)	R5,400
Interior:		S5 TFSI
QE1	Storage & luggage compartment package Includes the following items in the car: <ul style="list-style-type: none"> • Storage net on the back of the front seat backrests • Cup holder in the rear center armrest • Storage compartment on driver's side • lockable glove compartment In the luggage compartment: <ul style="list-style-type: none"> • Luggage compartment net • Net in hollow on the left • Bag hook 	R3,800
9AQ	3-zone climate control system Climate control unit with large TFT display and capacitive toggle buttons,; electronically regulates the air temperature and distribution individually for the driver and front passenger; additional climate control unit for setting the temperature in the rear compartment in the rear center console; automatic circulating air control by air quality sensor, with dust and odor separating allergen filter; use of residual heat	S
1XP	Leather steering wheel in 3 spoke design with multifunction plus and steering wheel heating Used in combination with Assistance systems (PCE)	No cost
Seats:		
PV3	Electrically adjustable front seats including memory function for the driver's seat Electric adjustment of both front seats with memory function for the driver's side. Includes the following: electric adjustment for seat height, seat forwards/backwards position, seat angle and backrest angle; electric 4-way lumbar support; 2 memory spaces for the electrically adjustable driver's seat and exterior mirrors. Only in combination with Door mirrors with memory function (6XL).	R4,400
4A3	Seat heating for front seats	R7,600



Optional Equipment

		S5 TFSI
N3M	Fine Nappa leather with embossed "S" Upgrade your seats to the highest quality, supple Fine Nappa leather which is breathable, durable and features a natural fine grain. Seat upholstery, head restraints, and front centre armrest in Fine Nappa leather. Door trim inserts in Alcantara. (Forces S line interior package (WQS) at an additional cost)	S
7HB	Interior elements in leatherette Lower center console and armrest in the doors in artificial leather	R4,500
5TG	Inlays in Matte Brushed Aluminum For dashboard and door trims. (Forces S line interior package (WQS) at an additional cost)	S
5TL	Inlays in Black Piano Lacquer, Audi exclusive For dashboard and door trims.	R6,300
<u>Audio and Communications:</u>		S5 TFSI
9ZE	Audi phone box (forces GB1 at no additional cost) Offers wireless charging with Qi enabled compatible phones and creates an additional Bluetooth interface for a second device, therefore allowing two mobile phones to be connected to the vehicle simultaneously.	R6,200
GB1	LTE module for Audi phone box	No cost
9VS	Bang & Olufsen Premium Sound System with 3D sound The system features 19 speakers (including center speaker / subwoofer and additional 3D sound tweeters and midrange speakers); 16-channel amplifier (755 watts); Illumination of the front loudspeaker panels; speed-dependent volume adjustment; spatial sound reproduction through the sound feature 3D sound. This is generated by additional loudspeakers in the A-pillar, by the mid-range speakers and by Fraunhofer Symphoria technology.	R12,700
9JE	USB charging interface for rear seat passengers	R1,200



Optional Equipment

Assistance systems:		S5 TFSI
PCE	Assistance package including Audi pre sense plus (with Adaptive cruise control, lane keeping system and multifunction camera) Automatic distance regulation, using radar sensors to maintain the required distance between vehicles ahead by braking and accelerating. In conjunction with S tronic or Tiptronic, includes Stop&Go function, where the system brakes the car to a stop. The driver can select from 5 distance thresholds and influence the systems acceleration behaviour via Audi Drive Select. Also features Traffic-jam assist which detects vehicles ahead and on adjacent lanes to assist with the braking, acceleration and also steering up to approximately 60km/h, to keep the vehicle in lane.	R34,000
PCZ	City assistance package with Park assist package Includes, Audi pre sense rear, Audi side assist, Park assist with front and rear view camera and two side cameras). This package includes the latest technology to provide help in busy traffic situations, when changing lane, exiting your car and when reversing – for the convenience and protection of all occupants.	R30,500
PCH	Audi lane change assist including Audi Pre-sense rear Aids the driver when changing lane by monitoring the area behind the car. It informs the driver with a visual warning signal in the door mirror if there is a vehicle in their blind spot. Also includes Audi Pre-sense Basic that, where necessary, takes action to help protect the driver and passengers if a potential collision is detected. While Audi Pre-sense Rear monitors vehicles following from behind and if a potential collision is detected the driver is first warned visually via flashing light, then Audi Pre-sense Basic measures are initiated. The system is deactivated when towing.	R12,500
PCF	Park Assist package Park assist can automatically steer the car into parallel or perpendicular parking spaces. It uses ultrasonic sensors located in the front and rear bumpers and on the sides. The driver only has to accelerate, brake and shift gears. The package includes a 360-degrees camera system.	R36,300
KS1	Head-up display Projects warning messages or driving-related information from assistance systems and the navigation system (if ordered) in full colour onto the windscreen in the driver's direct field of vision, giving the driver faster access to information. The display can also be adjusted in height	R15,150
Suspension, brakes & steering:		S5 TFSI
GH2	quattro with Sports differential The electronically regulated Sport differential distributes variable amounts of driving force to each rear wheel, improving stability and agility, especially when cornering. It ensures better direct steering characteristics and, thanks to less steering effort, more agile handling.	R28,600
2MV	S sport suspension with damper control	R11,000



Important information

Welcome to Audi

Audi Freeway Plan | Motoring Peace of Mind

There can be no better motoring peace of mind than knowing that your car will be serviced, maintained and repaired, should this prove necessary, at no cost to you. Thanks to Audi Freeway Plan, that peace of mind could be yours.

The Audi Freeway Plan absorbs all maintenance and service costs, with the exception of between-service top-up fluids, fuel, cracked or broken glass, and tyres.

Recommended retail pricing is inclusive of an optional 5 year/100,000 km Audi Freeway Plan on all new Audi vehicles.

Top-up options to extend maintenance are available at extremely competitive rates. Audi has specially designed the Audi Freeway Plan for easy operation on the part of the owner. Making an appointment with any one of our approved Audi Servicing Dealers can effect regular servicing and maintenance as well as repairs (with the exception of accident damage).

All work is handled by the relevant service department, which will liaise directly with the Audi Freeway Plan Maintenance Unit. No extra effort or payment is required from the Audi owner. The Audi Freeway Plan is registered with the vehicle and as such is transferable to the new owner should the car be sold before the Audi Freeway Plan has expired, giving added resale value. The Audi Freeway Plan is available in addition to Audi's standard one-year/unlimited distance vehicle warranty. The Audi Freeway Plan is subject to certain exclusions, covers any repairs necessary after the expiry of the standard warranty.

Audi Assist | Emergency and Personal Assistance

Audi Assist is a programme whereby Audi of South Africa and its Dealer Network pledge to provide you with peace of mind motoring by providing the infrastructure to support a countrywide emergency service 24 hours a day, every day.

The programme is known as Audi Assist and operates within the borders of South Africa as well as Namibia and Botswana. The objective of the programme is to ensure on the spot roadside assistance offered by a fully equipped and trained Audi technician.

The primary focus is to get you mobile in your own vehicle. Where a roadside repair cannot be effected and the vehicle needs to be towed to the nearest Audi dealer, you and the occupants of the vehicle will be transported to a place of safety in the dealer's roadside assistance vehicle.

Contact details within South Africa:

086 043 4838

Contact details for neighbouring states:

+27 41 994 5616

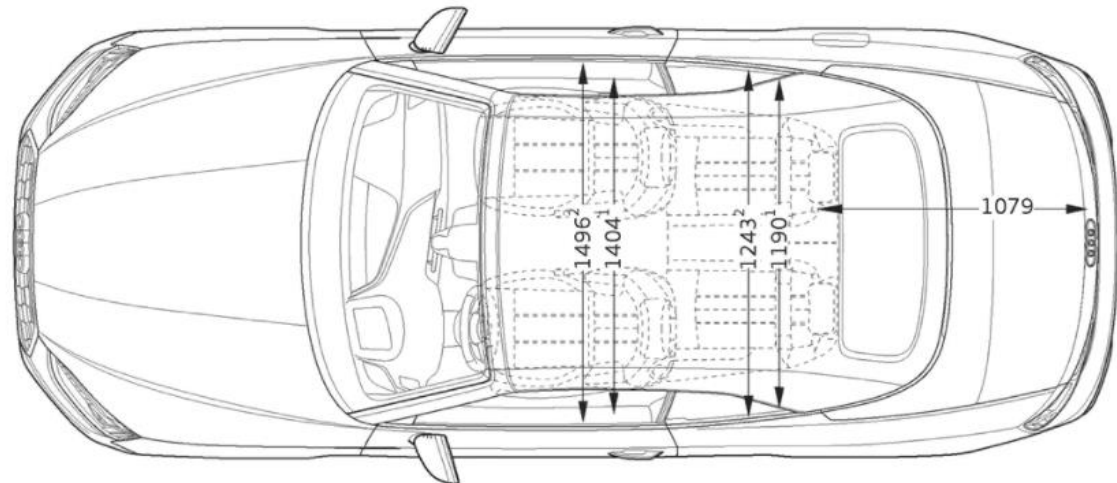
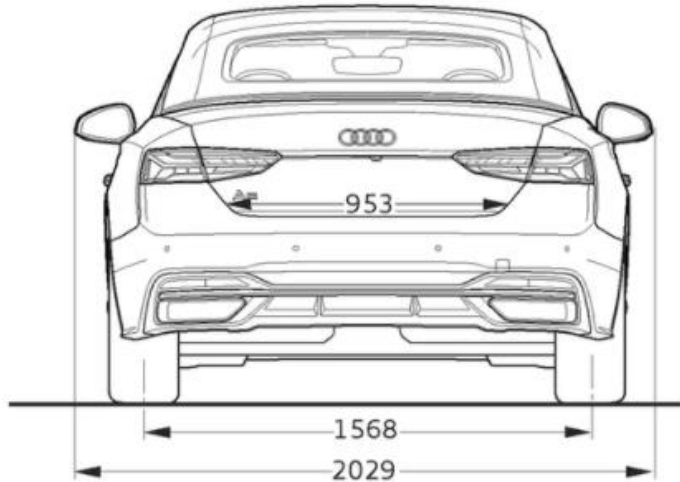
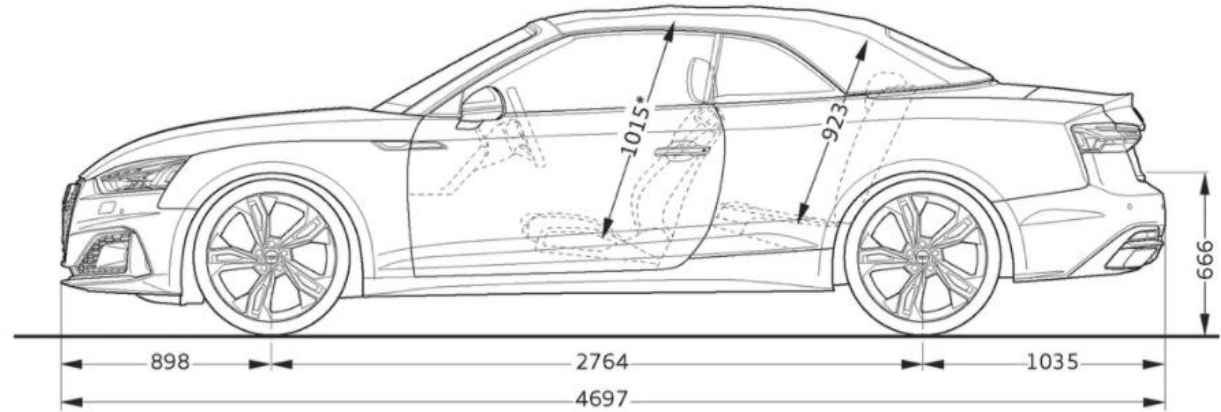
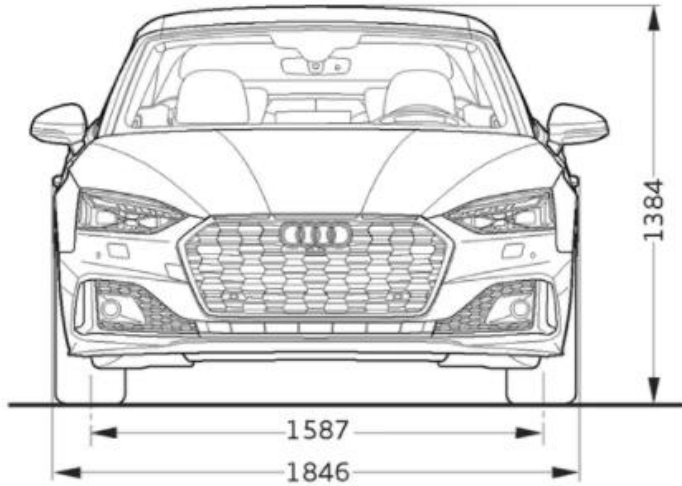
24 hours a day, 7 days a week

Vehicle model and VIN number will be required.

S5 Cabriolet



S5 Cabriolet Dimensions



Audi S5 Cabriolet luggage compartment capacity: 375l - nominal position

S5 Cabriolet



Information in this pricelist

We've done all we can to make the prices, specifications, technical details and all other information you see in this pricelist accurate at the time of publication. We reserve the right to change prices or specification at any time. All prices shown include VAT, which is currently charged at 15%. Recommended retail pricing is not binding on the dealer and is inclusive of an optional 5 year/100,000km Audi Freeway Plan. Pricing and specification is valid for vehicles produced from model year 2025 onwards.

Please check model availability and full specification details with your Audi Dealership prior to ordering. Neither Audi South Africa nor Audi Dealers can accept contractual responsibility for your reliance on the information contained in this pricelist. Performance figures and specifications relating to Audi vehicles are indicative only and performance cannot be guaranteed. Performance figures and specifications may be updated from time to time, when new test results or other information become available. Your local Audi Dealership can always provide you with the most up-to-date information available. Written and visual depictions (including photographs) of vehicles, are for illustrative purposes only and should not be relied upon. Some illustrations may not accurately reflect South African specifications (including paint and trim colours) and may not be available. If in doubt, always contact your local Audi Dealership