

**A3 | S3**

**Sportback**

**April 2024**

# The Audi A3 and S3

Audi established the premium compact class segment with the A3 in 1996. The fourth generation of the model is now more sporty, digitalized and fully connected. The progressive design of the body encapsulates the many innovations within, that include items like the infotainment, suspension, and driver assist systems.

This pricelist will make it easy for you to build your A3 or S3, taking you through all the model, engine and option choices. The online configurator is also available to build your dream car.





## Engines

Sportback	Engine capacity (l)	Transmission	Power (kW)	Torque (Nm)	0-100km (s)	Top Speed	Urban l/100km	Extra Urban l/100km	Combined l/100km	Combined CO2	RRP
A3 35 TFSI	1395	tiptronic	110	250	8.2	219	7.6	5.3	6.2	140	R 682,100
A3 35 TFSI Advanced	1395	tiptronic	110	250	8.2	219	7.6	5.3	6.2	140	R 707,100
A3 35 TFSI S line	1395	tiptronic	110	250	8.2	219	7.6	5.3	6.2	140	R 722,100
A3 40 TFSI S line	1984	S tronic	140	320	7.4	241	8.1	5.3	6.3	144	R 776,700
S3 TFSI quattro	1984	S tronic	213	400	4.9	250	10.0	6.8	8.0	185	R 930,300
A3 Urban Edition	1395	tiptronic	110	250	8.2	219	7.6	5.3	6.2	140	R 738,600
A3 35 Black Edition	1395	tiptronic	110	250	8.2	219	7.6	5.3	6.2	140	R 791,300
S3 Black Edition	1984	S tronic	213	400	4.9	250	10.0	6.8	8.0	185	R 1,091,000

Fuel consumption and CO<sub>2</sub> data applies to the German Market. The specified values are determined in accordance with certain test procedures. The specifications do not refer to an individual vehicle but serve only as a basis for comparing the different types of vehicles. In addition, the consumption figures achieved during normal driving may differ from the test values, depending in particular on special equipment fitted, vehicle loading, personal driving style, road and traffic conditions, environmental factors and conditions of the car.

\* RRP is inclusive of VAT, CO<sub>2</sub> emissions tax and an optional 5 year/100,000km Audi Freeway Plan

# A3 | S3 Sportback



## URBAN EDITION | A3

### Standard equipment (over and above A3)

Audi sound system

Sunroof

17-inch wheel

#### Upgrade package

- full LEDs
- auto-dimming mirrors
- rear PDC
- 2-zone climate control



### Optionally available

Park assist with parking aid plus (7X5)

Storage & Luggage package (QE1)

Rear view camera (KA2)

# A3 | S3 Sportback



## BLACK EDITION | A3

### Standard equipment (over and above A3)

S line exterior

S line interior

Sunroof

Black styling with black rings

Contour ambient lights

Audi sound system

Leather/leatherette

Split folding rear seat backrest

Sports steering wheel

#### Upgrade package

- full LEDs
- auto-dimming mirrors
- rear PDC
- 2-zone climate control

#### Sports package

- 18-inch wheel
- black styling
- black mirrors





# A3 | S3 Sportback



## BLACK EDITION | S3



### Standard equipment (over and above S3)

Adaptive Chassis control

19-inch wheels

Sunroof

Black styling with black rings

Matrix LEDs

Bang & Olufsen sound

Fine Nappa leather

Contour ambient lights

Comfort key

Electric seats + lumbar

Park assist with parking aid plus

Technology package

- Audi connect
- virtual cockpit plus
- MMI navigation
- USB ports in the rear

### Optionally available

Folding mirrors (6XI)

Luggage compartment opening (4E6)

Seat heaters (4A3)

3-zone climate control (KH5)

Audi phone box (9ZE)

Adaptive cruise control (8T8+8J1)

Rear view camera (KA2)



## Standard Equipment | A3 Standard

### Wheels:

- ▶ Alloy wheels, 5-double-arm, 7.0J x 16, 205/55 R16 tyres
- ▶ Anti-theft wheel bolts
- ▶ Space-saving spare wheel
- ▶ Tyre pressure monitoring display

### Performance & suspension:

- ▶ Audi Drive Select
- ▶ Cruise control
- ▶ Electromechanical power steering
- ▶ Hold assist
- ▶ Speed limiter
- ▶ Standard suspension
- ▶ Start/stop system

### Lighting:

- ▶ Light / rain sensor
- ▶ Ambient Lighting package
- ▶ Separate daytime running lights

### Exterior Equipment:

- ▶ Body-coloured exterior mirror housings
- ▶ Exterior mirrors, power-adjustable and heated
- ▶ Roof spoiler

### Audio & Communications:

- ▶ 6 Speakers
- ▶ MMI Radio plus
- ▶ Audi connect Emergency Call & Service with Audi connect Remote & Control
- ▶ Audi smartphone interface
- ▶ Audi phone box lite
- ▶ Digital instrument cluster

### Interior Equipment:

- ▶ Manual air conditioning system
- ▶ Anti-theft alarm system
- ▶ Dimming interior rearview mirror
- ▶ Comfort centre armrest in front
- ▶ Driver and front passenger airbag with front passenger airbag deactivation
- ▶ First aid kit with warning triangle and safety vests
- ▶ Floor mats in front and rear
- ▶ Front seats manually adjustable
- ▶ Head restraints in front
- ▶ Headliner in cloth
- ▶ ISOFIX child seat anchors and top tether for outer rear seats
- ▶ Fabric seat upholstery

- ▶ Leather-wrapped multi-function Plus steering wheel, 3-spoke, with shift paddles
- ▶ Luggage compartment floor mat
- ▶ Scuff plates with aluminium inserts in front
- ▶ Side airbags in front and curtain airbag system
- ▶ Split-folding rear seat backrest
- ▶ Standard seats in front
- ▶ Tool kit and jack
- ▶ Remote control key with SAFELOCK
- ▶ 12-V outlet in rear seat area



## Standard Equipment | A3 Standard

### Wheels:

- ▶ Alloy wheels, 5-double-arm, 7.0J x 16, 205/55 R16 tyres
- ▶ Anti-theft wheel bolts
- ▶ Space-saving spare wheel
- ▶ Tyre pressure monitoring display

### Performance & suspension:

- ▶ Audi Drive Select
- ▶ Cruise control
- ▶ Electromechanical power steering
- ▶ Hold assist
- ▶ Speed limiter
- ▶ Standard suspension
- ▶ Start/stop system

### Lighting:

- ▶ Light / rain sensor
- ▶ Ambient Lighting package
- ▶ Separate daytime running lights

### Exterior Equipment:

- ▶ Body-coloured exterior mirror housings
- ▶ Exterior mirrors, power-adjustable and heated
- ▶ Roof spoiler

### Audio & Communications:

- ▶ 6 Speakers
- ▶ MMI Radio plus
- ▶ Audi connect Emergency Call & Service with Audi connect Remote & Control
- ▶ Audi smartphone interface
- ▶ Audi phone box lite
- ▶ Digital instrument cluster

### Interior Equipment:

- ▶ Manual air conditioning system
- ▶ Anti-theft alarm system
- ▶ Dimming interior rearview mirror
- ▶ Comfort centre armrest in front
- ▶ Driver and front passenger airbag with front passenger airbag deactivation
- ▶ First aid kit with warning triangle and safety vests
- ▶ Floor mats in front and rear
- ▶ Front seats manually adjustable
- ▶ Head restraints in front
- ▶ Headliner in cloth
- ▶ ISOFIX child seat anchors and top tether for outer rear seats
- ▶ Fabric seat upholstery

- ▶ Leather-wrapped multi-function Plus steering wheel, 3-spoke, with shift paddles
- ▶ Luggage compartment floor mat
- ▶ Scuff plates with aluminium inserts in front
- ▶ Side airbags in front and curtain airbag system
- ▶ Split-folding rear seat backrest
- ▶ Standard seats in front
- ▶ Tool kit and jack
- ▶ Remote control key with SAFELOCK
- ▶ 12-V outlet in rear seat area





## Standard Equipment | A3 Advanced (Standard plus)

### Wheels:

- ▶ Alloy wheels, 5-parallel-spoke style, 8.0J x 17, 225/45 R17 tyres

### Exterior Equipment:

- ▶ Advanced bumpers

### Interior Equipment:

- ▶ Scuff plates with aluminum inserts in front

## Standard Equipment | A3 S line (Standard plus)

### Wheels:

- ▶ Alloy wheels, 5-arm style, 8.0J x 17, 225/45 R17 tyres

### Interior Equipment:

- ▶ Scuff plates with aluminum inserts in front, illuminated, with "S" logo

### Performance & suspension:

- ▶ Sports suspension

### Exterior Equipment:

- ▶ S line bumpers
- ▶ S roof spoiler
- ▶ Rear parking aid



## Standard Equipment | S3 Standard

### Wheels:

- ▶ Alloy wheels, 5-double-spoke style (S style), 8.0J x 19, 235/35 R19 tyres
- ▶ Anti-theft wheel bolts
- ▶ Space-saving spare wheel
- ▶ Tyre pressure monitoring display

### Performance & suspension:

- ▶ Disc brakes in front, 17-inch, brake calipers painted in Red with "S" lettering (ECE)
- ▶ Disc brakes in rear, 17-inch, brake calipers painted in Red (ECE)
- ▶ Audi Drive Select
- ▶ Cruise control
- ▶ Electromechanical power steering
- ▶ Hold assist
- ▶ Speed limiter
- ▶ S sports suspension
- ▶ Start/stop system

### Lighting:

- ▶ LED headlamps
- ▶ LED rear combination lamps with dynamic turn signal
- ▶ Headlamp washer system
- ▶ Light / rain sensor
- ▶ Ambient Lighting package

### Exterior Equipment:

- ▶ Exterior mirror housings in Aluminum Look
- ▶ Exterior mirrors, power-adjustable and heated
- ▶ High-Gloss Styling package
- ▶ Rear parking aid
- ▶ S roof spoiler
- ▶ S model bumpers
- ▶ Rear window wiper and washer system with intermittent control

### Audio & Communications:

- ▶ 6 Speakers
- ▶ MMI Radio plus
- ▶ Audi connect Emergency Call & Service with Audi connect Remote & Control
- ▶ Audi smartphone interface
- ▶ Audi phone box lite
- ▶ Digital instrument cluster

### Interior Equipment:

- ▶ Headliner in Black fabric
- ▶ 2-zone climate control system
- ▶ Anti-theft alarm system
- ▶ Auto-dimming interior rearview mirror, frameless

- ▶ Armrest in leatherette
- ▶ Driver and front passenger airbag with front passenger airbag deactivation
- ▶ First aid kit with warning triangle and safety vests
- ▶ Floor mats in front and rear
- ▶ Front seats manually adjustable
- ▶ Head restraints in front
- ▶ ISOFIX child seat anchors and top tether for outer rear seats
- ▶ Fabric "Pulse"/leatherette combination with embossed "S"
- ▶ Sports contour leather-wrapped steering wheel with multifunction Plus, 3-spoke, shift paddles, flat-bottomed
- ▶ Side airbags in front and curtain airbag system
- ▶ Folding rear seat backrest
- ▶ Sport seats in front
- ▶ Tool kit and jack
- ▶ Remote control key with SAFELOCK
- ▶ Pedals and foot rest in stainless steel
- ▶ Scuff plates with aluminum inserts in front, illuminated, with "S" logo



## Paint | A3/S3

		A3 35 TFSI	A3 35 TFSI Advanced	A3 35 TFSI S line	A3 40 TFSI S line	S3 TFSI	
T9T9		Ibis White, solid	No cost	No cost	No cost	No cost	No cost
A2A2		Brilliant Black, solid	No cost	No cost	---	---	---
L5L5		Florett Silver, metallic	No cost	No cost	---	---	---
2Y2Y		Glacier White, metallic	No cost	No cost	No cost	No cost	No cost
H1H1		Manhattan Grey, metallic	No cost	No cost	---	---	---
0E0E		Myth Black, metallic	No cost	No cost	No cost	No cost	No cost
2D2D		Navarra Blue, metallic	No cost	No cost	No cost	No cost	No cost
R1R1		Python Yellow Metallic	No cost	No cost	No cost	No cost	No cost
6Y6Y		Daytona Grey, pearlescent	---	---	R 14,500	R 14,500	R 14,500
Y1Y1		Tango red	No cost	No cost	No cost	No cost	No cost
N6N6		Turbo blue	---	---	No cost	No cost	No cost
Q0Q0		Audi exclusive paint finish*	R 37,500	R 37,500	R 37,500	R 37,500	R 37,500

Options are subject to availability and may extend time taken for delivery. All the colour swatches on this page are matched as accurately as possible to the actual paint colours used. Audi South Africa cannot guarantee that colours shown are 100% accurate. Visit your local Audi Centre for a more accurate colour swatch.

\*Audi exclusive paint is subject to factory approval. Visit your local Audi Centre for colour samples.

# A3 | S3 Sportback



Wheels & Tyres   A3/S3			A3 35 TFSI	A3 35 TFSI Advanced	A3 35 TFSI S line	A3 40 TFSI S line	S3 TFSI
C5X	Alloy wheels, 5-double-arm style, 7.0J x 16, 205/55 R16 tyres		S	---	---	---	---
41R	Wheels, 5-arm style, 8.0J x 17, 225/45 R17 tyres		---	---	S	S	---
CG0	Alloy wheels, 5-spoke W-style, 8.0J x 17, 225/45 R17 tyres		R11,200	---	---	---	---
CL9	Alloy wheels, 5-parallel-spoke style, 8.0J x 17, 225/45 R17 tyres		R11,200	S	---	---	---
C1J	Alloy wheels, 5-spoke V-style, diamond-turned, 8.0J x 18, 225/40 R18 tyres		R24,000	R12,800	---	---	---
U52	Alloy wheels, 5-double-spoke V-style (S style), Graphite Gray, 8.0J x 18, 225/40 R18 tyres		---	---	R16,000	R16,000	---
U92	Audi Sport wheels, 5-arm blade style, Anthracite Black, diamond-turned, 8.0J x 18, 225/40 R18 tyres		---	R28,000	R28,000	R28,000	---
V98	Alloy wheels, 5-arm flag style, Platinum Gray, diam.-turned, 8.0J x 18, 225/40 R18 tyres, Audi Sport GmbH		R36,000	R28,000	R28,000	R28,000	---
U53	Alloy wheels, 5-spoke Y-style, Graphite Gray, diamond-turned, 8.0J x 18, 225/40 R18 tyres		---	W1G	W1G	W1G	---
U80	Alloy wheels, 5-double-spoke style (S style), 8.0J x 19, 235/35 R19 tyres		---	---	---	---	S
C1I	Alloy wheels, 5-arm trapezoidal style, Matte Titan. Gray, diam.-turn., 8.0J x 19, 235/35 R19 tyres, Audi Sport GmbH		---	---	---	---	R13,500
C2T	Alloy wheels, 5-double-spoke edge style, Anthracite Black, diam.-turned, 8J x 19, 235/35 R19 tyres, Audi Sport GmbH		---	---	---	---	R14,000
C6H	Alloy wheels, 5-arm Y-style, Matte Titanium Gray, diamond-turned, 8.0J x 19, 235/35 R19 tyres, Audi Sport GmbH		---	R35,500	R35,500	R35,500	R13,500

--- = Not Available

S = Standard

# A3 | S3 Sportback



## Optional equipment | A3/S3

Equipment packages:		A3 35 TFSI	A3 35 TFSI Advanced	A3 35 TFSI S line	A3 40 TFSI S line	S3 TFSI
4ZB	<b>High-gloss package</b> Window panes in high gloss aluminium	R3,500	R 3,500	R3,500	R 3,500	S
4ZD	<b>Black styling package</b> <ul style="list-style-type: none"> <li>Black mirror housings</li> <li>Black accents in the Audi Singleframe grille</li> <li>Window panes in black</li> <li>Front and rear bumpers in black</li> </ul>	---	R7,400	R7,400	R7,400	R7,400
4ZP	<b>Black styling package plus</b> Content of 4ZD with the addition of Audi Rings and badging in black	---	R10,800	R10,800	R10,800	R10,800
WQS	<b>S line interior package</b> <ul style="list-style-type: none"> <li>Armrest in leatherette</li> <li>Centre armrest in front</li> <li>Decorative insert in Dark Aluminum "Spektrum" Emblems</li> <li>Emblems</li> <li>Headliner in Black fabric</li> <li>Pedals and foot rest in stainless steel</li> <li>Sports seats in front</li> </ul>	R26,500	R26,500	R26,500	R26,500	S
WFA	<b>Upgrade package</b> <ul style="list-style-type: none"> <li>LED lights (PX2)</li> <li>Auto-dimming mirror</li> <li>2-zone Automatic climate control</li> <li>Rear parking aid (7X1)</li> </ul>	R23,500	R23,500	R20,000	R20,000	---
W1G	<b>Sports package</b> <ul style="list-style-type: none"> <li>Black Styling package</li> <li>Black mirrors</li> <li>18-inch wheel</li> <li>Sports Suspension</li> </ul>	---	R21,000	R18,800	R18,800	---
WDP	<b>Technology package</b> <ul style="list-style-type: none"> <li>Audi Virtual cockpit plus</li> <li>MMI Navigation plus</li> <li>Audi connect Navigation &amp; Infotainment Plus</li> <li>USB ports with charging function in rear (7B9)</li> </ul>	R33,500	R33,500	R33,500	R33,500	R33,500

--- = Not Available S = Standard



## Optional equipment | A3/S3

Exterior:		A3 35 TFSI	A3 35 TFSI Advanced	A3 35 TFSI S line	A3 40 TFSI S line	S3 TFSI
PX2	LED headlamps and LED rear combination lamps with dynamic turn signal in rear	WFA	WFA	WFA	WFA	S
PXC	<b>Matrix LED headlamps, LED rear combination lamps and headlamp washer system</b> Provides precise illumination of the road whilst reducing the risk of dazzling other road users. Using information obtained from the vehicle's sensors, camera and MMI Navigation (if equipped), it identifies the appropriate lighting required. Matrix LED dips or fully extinguishes individual lighting diodes when vehicles are detected ahead. Calculates the appropriate lighting required and automatically dips or turns off individual lighting diodes, creating corridors of light either side of the vehicle or the object in front of it. Includes dynamic front and rear indicators which sweep from inside to out.	R25,500	R25,500	R25,500	R25,500	R7,500
6FJ	Exterior mirror housings in Black	---	R1,700	R1,700	R1,700	R2,000
6FQ	Exterior mirror housings in Carbon	---	---	---	---	R10,500
6XI	Exterior mirrors, power-adjustable, heated and power-folding, auto-dimming on both sides	R5,500	R5,500	R5,500	R5,500	R5,500
3S1	Aluminum roof rails	R5,000	R5,000	R5,000	R5,000	R5,000
3S2	Black roof rails	R5,000	R5,000	R5,000	R5,000	R5,000
3FB	Panoramic glass sunroof	R17,000	R17,000	R17,000	R17,000	R17,000
4E6	Luggage compartment lid, electrically opening and closing	R6,000	R6,000	R6,000	R6,000	R6,000
5J1	S roof spoiler	R4,300	R4,300	S	S	S
5J5	Carbon roof spoiler	R26,500	R26,500	R23,000	R23,000	R23,000
1D2	Trailer hitch	R12,800	R12,800	R12,800	R12,800	---
2Z7	Without engine power/technology nameplate	No Cost	No Cost	No Cost	No Cost	---





## Optional equipment | A3/S3

<b>Interior and convenience:</b>		A3 35 TFSI	A3 35 TFSI Advanced	A3 35 TFSI S line	A3 40 TFSI S line	S3 TFSI
PG3	Comfort key in combination with anti-theft alarm system	R7,200	R7,200	R7,200	R7,200	R7,200
9AK	2-zone climate control system	WFA	WFA	WFA	WFA	S
KH5	3-zone climate control system	R14,300	R14,300	R14,300	R14,300	R5,000
2PK	Sports contour leather-wrapped steering wheel with multifunction Plus, 3-spoke, shift paddles, flat-bottomed	R2,000	R2,000	R2,000	R2,000	S
QE1	Storage and Luggage Compartment package	R3,500	R3,500	R3,500	R3,500	S
6NQ	Headliner in Black fabric	R3,800	R3,800	R3,800	R3,800	S
QQ2	Ambient Lighting package plus	R2,500	R2,500	R2,500	R2,500	R2,500
4L6	Auto-dimming interior rearview mirror, frameless	WFA	WFA	WFA	WFA	S
QJ1	Interior in aluminum look	R1,500	R1,500	R1,500	R1,500	S
VT4	Scuff plates with aluminum inserts in front, illuminated	R2,500	R2,500	---	---	---
<b>Seats/inlays/accents:</b>						
7P1	4-way lumbar support for the front seats	R4,400	R4,400	R4,400	R4,400	R4,400
3L5	Power front seats	R11,500	R11,500	R11,500	R11,500	R11,500
PV3	Power front seats with memory feature for driver seat and exterior mirrors	R19,300	R19,300	R19,300	R19,300	R19,300
4A3	Seat heaters in front	R5,500	R5,500	R5,500	R5,500	R5,500
3NT	Split-folding rear seat backrest	R3,500	R3,500	R3,500	R3,500	R3,500
Q1D	Sports seats in front	R5,800	R5,800	R5,800	R5,800	S
N5J	Dinamica® microfiber/leatherette combination	R9,000	R9,000	R9,000	R9,000	R9,000



<b>Seats/inlays/accents (continued...):</b>		A3 35 TFSI	A3 35 TFSI Advanced	A3 35 TFSI S line	A3 40 TFSI S line	S3 TFSI
7HE	Decorative seam for dashboard	R3,500	R3,500	R3,500	R3,500	---
N4F	Leather/leatherette combination	R15,200	R15,200	R15,200	R15,200	---
N4L	Leather/leatherette combination with embossed "S"	R4,000	R4,000	R4,000	R4,000	R4,000
N4X	Fine Nappa Leather with embossed "S"	---	---	---	---	R 21,500
YYB	Red coloured seams Audi Sport	R5,500	R5,500	R5,500	R5,500	---
5TD	Decorative insert in Dark Aluminum "Spektrum"	R3,500	R3,500	R3,500	R3,500	S
5MY	Decorative inserts in Turbo Blue satin paint	R2,700	R2,700	R2,700	R2,700	---
7TN	Decorative insert in Carbon Atlas Structure	---	---	---	---	R 7,500
<b>Audio and communication:</b>						
7B9	USB ports with charging function in rear	R1,200	R1,200	R1,200	R1,200	R1,200
9S9	Audi virtual cockpit Plus	WDP	WDP	WDP	WDP	WDP
7UG	MMI Navigation plus with MMI touch	WDP	WDP	WDP	WDP	WDP
IT3	Audi connect Navigation & Infotainment Plus	WDP	WDP	WDP	WDP	WDP
9VD	Audi sound system	R4,800	R4,800	R4,800	R4,800	S
9VS	Bang & Olufsen Premium Sound System with 3D sound	R13,500	R13,500	R13,500	R13,500	R8,500
9ZE	Audi phone box	R4,500	R4,500	R4,500	R4,500	R4,500
GB1	LTE support for Audi phone box	No Cost	No Cost	No Cost	No Cost	No Cost



## Optional equipment | A3/S3

<b>Assistance systems:</b>		A3 35 TFSI	A3 35 TFSI Advanced	A3 35 TFSI S line	A3 40 TFSI S line	S3 TFSI
8T8	Adaptive cruise control (forces 8J1)	R5,000	R5,000	R5,000	R5,000	R5,000
8J1	Adaptive pre sense front for vehicles (forces 8T8)	R6,000	R6,000	R6,000	R6,000	R6,000
7W1	Audi pre sense basic	R3,500	R3,500	R3,500	R3,500	R3,500
6I3	Lane departure warning	R5,800	R5,800	R5,800	R5,800	R5,800
7X5	Park assist with parking aid Plus	R12,800	R12,800	R12,800	R12,800	R5,800
7X1	Rear parking aid	WFA	WFA	S	S	S
KA2	Rear view camera system	R6,500	R6,500	R6,500	R6,500	R6,500
KA6	360-degree camera	R15,000	R15,000	R15,000	R15,000	R15,000
<b>Suspension/brakes:</b>						
1JC	Sports suspension	---	W1G	S	S	---
1JF	Sports suspension for 19-inch wheels	R4,000	R4,000	R4,000	R4,000	---
PDE	Adaptive chassis control with Audi drive select	---	---	---	---	R13,000
<b>Safety and security:</b>						
4X4	Side airbags in front and rear and curtain airbag system	---	---	---	---	R6,000



## Important information

### Welcome to Audi

#### **Audi Freeway Plan | Motoring Peace of Mind**

There can be no better motoring peace of mind than knowing that your car will be serviced, maintained and repaired, should this prove necessary, at no cost to you. Thanks to Audi Freeway Plan, that peace of mind could be yours.

The Audi Freeway Plan absorbs all maintenance and service costs, with the exception of between-service top-up fluids, fuel, cracked or broken glass, and tyres.

Recommended retail pricing is inclusive of an optional 5 year/100,000 km Audi Freeway Plan on all new Audi vehicles.

Top-up options to extend maintenance are available at extremely competitive rates. Audi has specially designed the Audi Freeway Plan for easy operation on the part of the owner. Making an appointment with any one of our approved Audi Servicing Dealers can effect regular servicing and maintenance as well as repairs (with the exception of accident damage).

All work is handled by the relevant service department, which will liaise directly with the Audi Freeway Plan Maintenance Unit. No extra effort or payment is required from the Audi owner. The Audi Freeway Plan is registered with the vehicle and as such is transferable to the new owner should the car be sold before the Audi Freeway Plan has expired, giving added resale value. The Audi Freeway Plan is available in addition to Audi's standard one-year/unlimited distance vehicle warranty. The Audi Freeway Plan is subject to certain exclusions, covers any repairs necessary after the expiry of the standard warranty.

#### **Audi Assist | Emergency and Personal Assistance**

Audi Assist is a programme whereby Audi of South Africa and its Dealer Network pledge to provide you with peace of mind motoring by providing the infrastructure to support a countrywide emergency service 24 hours a day, every day.

The programme is known as Audi Assist and operates within the borders of South Africa as well as Namibia and Botswana. The objective of the programme is to ensure on the spot roadside assistance offered by a fully equipped and trained Audi technician.

The primary focus is to get you mobile in your own vehicle. Where a roadside repair cannot be effected and the vehicle needs to be towed to the nearest Audi dealer, you and the occupants of the vehicle will be transported to a place of safety in the dealer's roadside assistance vehicle.

Contact details within South Africa:  
086 043 4838

Contact details for neighbouring states:  
+27 41 994 5616

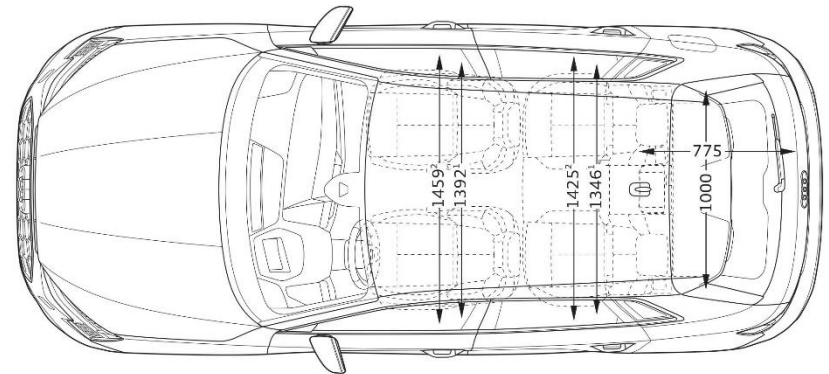
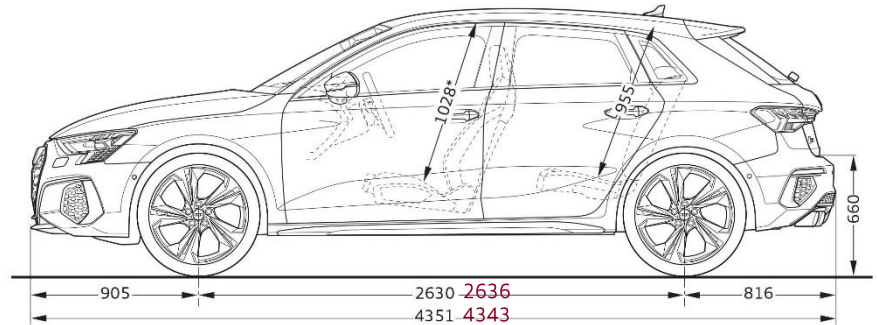
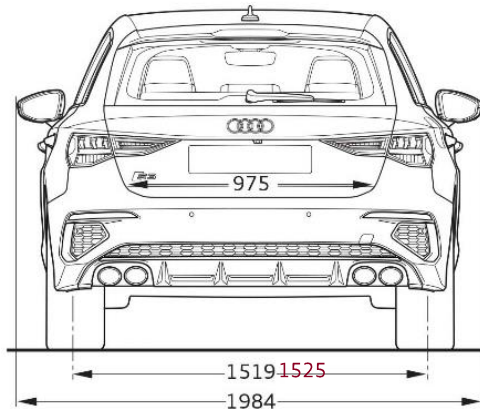
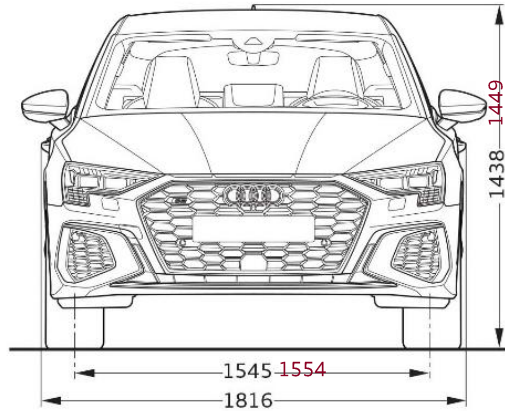
24 hours a day, 7 days a week

Vehicle model and VIN number will be required.

# A3|S3 Sportback



## Audi A3|S3 Sportback Dimensions



<sup>1</sup> Breite Schulterraum / Shoulder width

<sup>2</sup> Breite Ellbogenraum / Elbow width

\* maximaler Kopfraum / Maximum headroom

Angaben in Millimeter / Dimensions in millimeters

Angabe der Abmessungen bei Fahrzeugleergewicht / Dimensions of vehicle unloaded

Bei den angegebenen Werten handelt es sich um auf Datenbasis ermittelte Nominalwerte. Sie basieren auf zum Zeitpunkt der Ermittlung vorliegenden Datenständen und definierter Ausstattungsvariante.

The indicated values are data based nominal values. They refer to the present data sets at the date of the determination and a defined set of equipment

Luggage capacity A3 Sportback:380l

Luggage capacity S3 Sportback:325l



# A3 | S3 Sportback



## Information in this pricelist

We've done all we can to make the prices, specifications, technical details and all other information you see in this pricelist accurate at the time of publication. We reserve the right to change prices or specification at any time. All prices shown include VAT, which is currently charged at 15%. Recommended retail pricing is not binding on the dealer and is inclusive of an optional 5 year/100,000km Audi Freeway Plan.

Please check model availability and full specification details with your Audi Dealership prior to ordering. Neither Audi South Africa nor Audi Dealers can accept contractual responsibility for your reliance on the information contained in this pricelist. Performance figures and specifications relating to Audi vehicles are indicative only and performance cannot be guaranteed. Performance figures and specifications may be updated from time to time, when new test results or other information become available. Your local Audi Dealership can always provide you with the most up-to-date information available. Written and visual depictions (including photographs) of vehicles, are for illustrative purposes only and should not be relied upon. Some illustrations may not accurately reflect South African specifications (including paint and trim colours) and may not be available. If in doubt, always contact your local Audi Dealership.