



**S7 Sportback**

# The Audi S7 Sportback

Distinctive, unmistakable, A7. From its sharp lights and coupé-like silhouette to its sculptural rear end, the Audi A7 Sportback is an ambassador of a revolutionary language of design, carrying classic quattro genes at the same time. Proof that one can remain true to oneself through reinvention.

This pricelist will make it easy for you to build your A7 Sportback, taking you through all the model, engine and option choices. The online configurator is also available to build your dream car.





## Engines and Pricing | S7

Engine	Fuel type	Transmission	Power output (kW)	Torque (Nm)	Fuel consumption (l/100 km)			CO <sub>2</sub> emissions (g/km)	0 – 100 km/h (sec)	Top speed (km/h)	RRP*
					Urban	Extra urban	Combined				
S7 TFSI quattro	Petrol	tiptronic	331	600	11.0	6.9	8.4	197	4,6	250	R 1,773,400

Fuel consumption and CO<sub>2</sub> data applies to the German Market. The specified values are determined in accordance with certain test procedures. The specifications do not refer to an individual vehicle but serve only as a basis for comparing the different types of vehicles. In addition, the consumption figures achieved during normal driving may differ from the test values, depending in particular on special equipment fitted, vehicle loading, personal driving style, road and traffic conditions, environmental factors and conditions of the car. Pricing and specification is valid for vehicles produced from model year 2025 onwards.

\* RRP is inclusive of VAT, CO<sub>2</sub> emissions tax and an optional 5 year/100,000km Audi Freeway Plan



## Standard Equipment | S7

### Wheels:

- ▶ Anti-theft wheel bolts and loose wheel warning
- ▶ Audi Sport wheels, 5-V-spoke star style, 8.5J x 21, 255/35 R21 tires
- ▶ Disc brakes in front, 19-inch, brake calipers painted in Red with "S" lettering
- ▶ Disc brakes in rear, 18-inch, brake calipers painted in Red
- ▶ Space-saving spare wheel
- ▶ Tool kit and jack

### Performance & suspension:

- ▶ 48-V electric system
- ▶ Audi drive select
- ▶ Mild hybrid
- ▶ Progressive steering
- ▶ quattro (with self-locking center differential)
- ▶ Sports suspension
- ▶ Standard exhaust system

### Exterior equipment

- ▶ Electric rear spoiler
- ▶ Exterior mirror housings in Aluminum Look

- ▶ Exterior mirrors, power-adjustable, heated and power-folding, auto-dimming, with memory feature
- ▶ Panoramic glass sunroof
- ▶ Rear window, rear door windows and side windows in clear glass
- ▶ S model bumpers
- ▶ Scuff plates with aluminum inserts in front and rear, illuminated, with "S" logo in front
- ▶ Side and rear windows with heat-reflecting glass
- ▶ Window trims in aluminum look
- ▶ Windshield with heat-reflecting glass

### Interior equipment:

- ▶ 4-way lumbar support for the front seats
- ▶ 4-zone climate control system
- ▶ Airbags in front, front passenger airbag can be deactivated
- ▶ Anti-theft alarm system
- ▶ Auto-dimming interior rearview mirror, frameless
- ▶ Comfort center armrest in front
- ▶ First aid kit with warning triangle and safety vests
- ▶ Floor mats in front and rear
- ▶ Glossy Black operating buttons with haptic feedback and aluminum Look interior

- ▶ Head restraints in front
- ▶ Headliner in Black fabric
- ▶ Pedal cluster and footrest in stainless steel
- ▶ Sports seats Plus in front
- ▶ Seat heaters in front
- ▶ Split-folding rear seat backrest
- ▶ Sports contour leather-wrapped multi-function steering wheel, with shift paddles, 3-spoke, flat-bottomed
- ▶ Storage package
- ▶ Upper interior elements in leatherette
- ▶ Valcona leather with embossed "S"
- ▶ Decorative inserts in Matte Brushed Aluminum, dark

## Standard Equipment | S7

### Audio & communication:

- ▶ Audi connect Emergency Call & Service with Audi connect Remote & Control
- ▶ Audi connect Navigation & Infotainment
- ▶ Audi music interface
- ▶ Audi phone box with LTE support
- ▶ Audi virtual cockpit Plus
- ▶ Bang & Olufsen premium sound system with 3D sound
- ▶ MMI navigation plus with MMI touch response
- ▶ Smartphone interface
- ▶ Top infotainment system Premium (MIB3)

### Lighting:

- ▶ Ambient Lighting package plus
- ▶ HD Matrix LED headlamps with dynamic light design and dynamic turn signal
- ▶ Headlamp washer system
- ▶ LED rear combination lamps with dynamic light design and dynamic turn signal
- ▶ Separate daytime running light

### Safety and convenience:

- ▶ Audi pre sense basic
- ▶ Comfort key with sensor-controlled luggage compartment release with SAFELOCK
- ▶ Cruise control system with speed limiter
- ▶ Electric steering wheel adjustment
- ▶ Indirect tire pressure monitoring system
- ▶ ISOFIX child seat anchors and top tether for outer rear seats
- ▶ ISOFIX child seat anchors for front passenger seat
- ▶ Luggage compartment lid, electrically opening and closing
- ▶ Parking aid Plus
- ▶ Power front seats with memory feature for the driver seat
- ▶ Rear view camera system
- ▶ Side airbags in front and curtain airbag system
- ▶ With multifunction camera



Paint   S7			S7
A2A2		Brilliant Black	No cost
Z7Z7		Chronos Grey Metallic	No cost
5U5U		Firmament Blue Metallic	No cost
L5L5		Floret Silver Metallic	No cost
2Y2Y		Glacier White Metallic	No cost
S5S5		Grenadine Red Metallic	No cost
0E0E		Mythos Black Metallic	No cost
9W9W		Ascari Blue Metallic	R 38,400
6Y6Y		Daytona Grey Pearlescent	R 18,370
Q0Q0		Individual paint finish, Audi exclusive	R 83,900

## Wheels & tyres

		S7
CM9	Audi Sport wheels, 5-V-spoke star, 8.5J x 21, 255/35 R21 tires	S
59T	Audi Sport wheels, 5-arm-multi-spoke style, Matte Dark Gray, diamond-turned, 8.5J x 21, 255/35 R21 tires	R 7,300
1G8	Tire mobility system	No cost
1S2	Tool kit	No cost

21"



CM9  
S7-Std

C1U

59T



## Optional extras

<b>Equipment packages and exterior styling:</b>		<b>S7</b>
4ZD	<b>Black styling package</b> Front radiator grille frame, styling accents on front bumper in Titanium black and side window trims in high-gloss black	R 12,800
4ZP	<b>Black Styling package Plus</b>	R 16,600
<b>Lighting:</b>		
9TG	<b>Door entrance LED lighting with logo projector in front</b>	R 2,700
PXH	<b>HD matrix LED headlights with Audi laser light, darkened, LED rear lights and headlight cleaning system</b>	R 12,200
PXC	<b>HD Matrix LED headlamps with Audi laser light, LED rear combination lamps and headlamp washer system</b> Audi Matrix LED technology provides precise illumination of the road whilst reducing the risk of dazzling other road users. The Audi laser light complements the LED high beam from a speed of 70 km/h. Matrix LED's calculates the appropriate lighting required and automatically dips or turns off individual lighting diodes, creating a corridor of lights either side of the vehicle or object in front of it. Includes dynamic front and rear indicators which sweep from inside to out.	R 23,400
<b>Exterior equipment:</b>		
6FA	<b>Body-colored exterior mirror housings</b>	No cost
6FJ	<b>Exterior mirror housings in Black</b>	R 2,400
GZ2	<b>Power latching for the doors</b> Convenient and safe door closing: automatically pulls doors into place that are not fully closed	R 13,200
1D4	<b>Trailer hitch</b>	R 20,500



## Optional extras

<b><u>Seats and interior equipment:</u></b>		<b>S7</b>
<b>4A4</b>	<b>Seat heaters in front and rear</b>	<b>R 8,100</b>
<b>1XP</b>	<b>Leather-wrapped multi-function steering wheel, 3-spoke, with shift paddles and steering wheel heating</b>	<b>R 6,600</b>
<b>7HF</b>	<b>Upper and lower interior elements in leather</b>	<b>R 29,700</b>
<b>7HD</b>	<b>Upper and lower interior elements in leatherette</b>	<b>R 16,500</b>
<b>5MK</b>	<b>Decorative inserts in Carbon Twill Structure</b>	<b>R 16,800</b>
<b>7TH</b>	<b>Dynamics microfiber decorative inserts, Black</b>	<b>R 11,700</b>



## Optional extras

<b>Infotainment:</b>		<b>S7</b>
UE8	USB ports with charging function in rear	R 3,200
<b>Assistance Systems:</b>		
6K8	<b>Audi pre sense front</b> The safety measures offered by Audi pre sense front include: <ul style="list-style-type: none"> <li>· tensioning of the front and, if available, the outer rear seat belts</li> <li>· optimisation of the seat position</li> <li>· activation of the hazard warning lights to alert other road users</li> <li>· closing of the windows and the panoramic glass sunroof</li> </ul>	R 9,000
KS1	<b>Head-up display</b>	R 29,900
PCH	<b>Lane change warning incl. Audi pre sense rear, exit warning system and rear cross traffic assist</b> This assist system supports the driver in city traffic and on roads with multiple lanes. Because it's easy to miss vehicles in the blind spot. In these cases, the system warns of critical situations involving vehicles approaching from behind. It also alerts you to potential collisions when getting out and reverse parking and, if required, Audi pre sense rear initiates targeted safety measures. This equipment includes: <ul style="list-style-type: none"> <li>· side assist</li> <li>· exit warning</li> <li>· rear cross-traffic assist</li> <li>· Audi pre sense rear</li> </ul>	R 19,200
9R1	<b>Night vision assistant</b>	R 46,000



## Optional extras

<u>Assistance Systems:</u>		S7
PCC	<p><b>Tour Assistance package</b>            Combines various functions in one package. These provide even more comfort, safety and efficiency on long journeys and country roads. The system also assists with driving in traffic jams and through roadworks as well as when turning and swerving.            The assist package Tour includes the following assist systems:</p> <ul style="list-style-type: none"> <li>· adaptive cruise assist</li> <li>· adaptive cruise control</li> <li>· active lane assist</li> <li>· efficiency assist</li> <li>· turn assist</li> <li>· swerve assist</li> <li>· emergency assist</li> <li>· Audi pre sense front</li> </ul>	R 41,700
4X9	<b>Audi pre sense rear package</b>	R 15,400
<u>Suspensions:</u>		
1BK	<p><b>adaptive air suspension</b>            Electronically controlled air suspension with infinitely adaptive damping system on all four wheels; automatically regulates vehicle level and damping; including level control and manual lift function. Different modes can be set via the Audi drive select menu.</p>	R 18,200
PHZ	<b>Dynamic all-wheel steering</b>	R 40,600
GH2	<b>quattro with sports differential</b>	R 32,100



# Important information

## Welcome to Audi

### **Audi Freeway Plan | Motoring Peace of Mind**

There can be no better motoring peace of mind than knowing that your car will be serviced, maintained and repaired, should this prove necessary, at no cost to you. Thanks to Audi Freeway Plan, that peace of mind could be yours.

The Audi Freeway Plan absorbs all maintenance and service costs, with the exception of between-service top-up fluids, fuel, cracked or broken glass, and tyres.

Recommended retail pricing is inclusive of an optional 5 year/100,000 km Audi Freeway Plan on all new Audi vehicles.

Top-up options to extend maintenance are available at extremely competitive rates. Audi has specially designed the Audi Freeway Plan for easy operation on the part of the owner. Making an appointment with any one of our approved Audi Servicing Dealers can effect regular servicing and maintenance as well as repairs (with the exception of accident damage).

All work is handled by the relevant service department, which will liaise directly with the Audi Freeway Plan Maintenance Unit. No extra effort or payment is required from the Audi owner. The Audi Freeway Plan is registered with the vehicle and as such is transferable to the new owner should the car be sold before the Audi Freeway Plan has expired, giving added resale value. The Audi Freeway Plan is available in addition to Audi's standard one-year/unlimited distance vehicle warranty. The Audi Freeway Plan is subject to certain exclusions, covers any repairs necessary after the expiry of the standard warranty.

### **Audi Assist | Emergency and Personal Assistance**

Audi Assist is a programme whereby Audi of South Africa and its Dealer Network pledge to provide you with peace of mind motoring by providing the infrastructure to support a countrywide emergency service 24 hours a day, every day.

The programme is known as Audi Assist and operates within the borders of South Africa as well as Namibia and Botswana. The objective of the programme is to ensure on the spot roadside assistance offered by a fully equipped and trained Audi technician.

The primary focus is to get you mobile in your own vehicle. Where a roadside repair cannot be effected and the vehicle needs to be towed to the nearest Audi dealer, you and the occupants of the vehicle will be transported to a place of safety in the dealer's roadside assistance vehicle.

Contact details within South Africa:

086 043 4838

Contact details for neighbouring states:

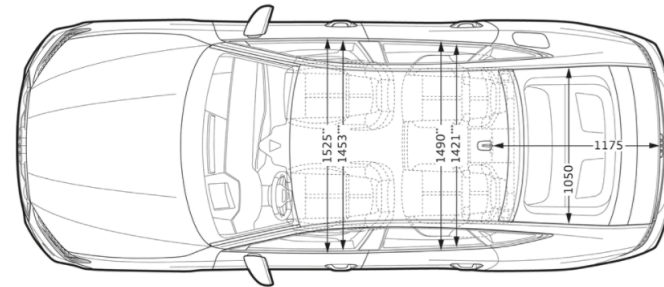
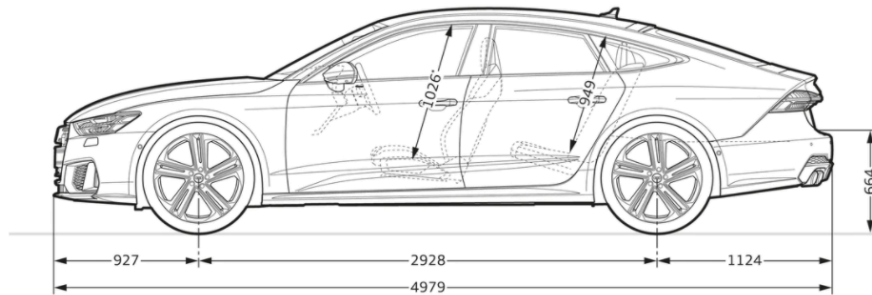
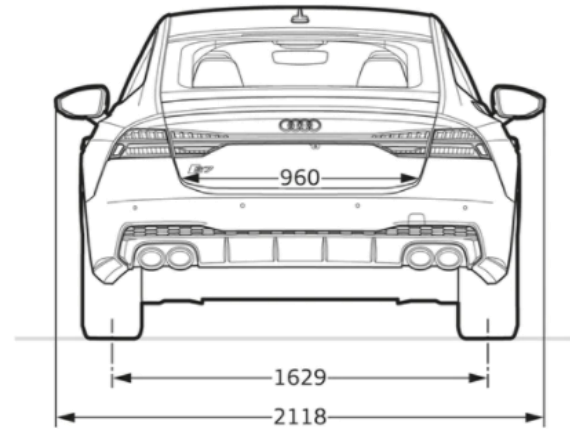
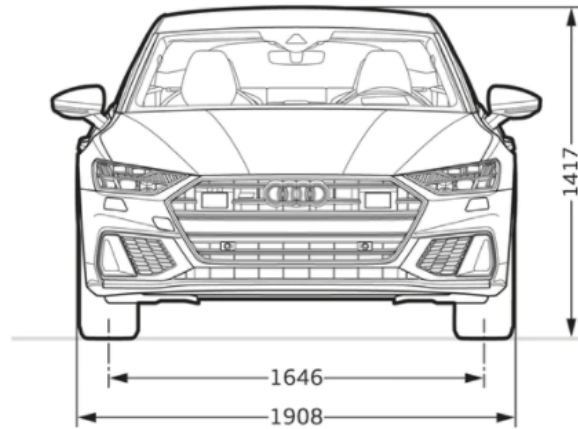
+27 41 994 5616

24 hours a day, 7 days a week

Vehicle model and VIN number will be required.

## S7 dimensions

All the measurements you need



# S7



## Information in this pricelist

We've done all we can to make the prices, specifications, technical details and all other information you see in this pricelist accurate at the time of publication. We reserve the right to change prices or specification at any time. All prices shown include VAT, which is currently charged at 15%. Recommended retail pricing is not binding on the dealer and is inclusive of an optional 5 year/100,000km Audi Freeway Plan. Pricing and specification is valid for vehicles produced from model year 2025 onwards.

Please check model availability and full specification details with your Audi Dealership prior to ordering. Neither Audi South Africa nor Audi Dealers can accept contractual responsibility for your reliance on the information contained in this pricelist. Performance figures and specifications relating to Audi vehicles are indicative only and performance cannot be guaranteed. Performance figures and specifications may be updated from time to time, when new test results or other information become available. Your local Audi Dealership can always provide you with the most up-to-date information available. Written and visual depictions (including photographs) of vehicles, are for illustrative purposes only and should not be relied upon. Some illustrations may not accurately reflect South African specifications (including paint and trim colours) and may not be available. If in doubt, always contact your local Audi Dealership.