

**A1**

**March 2025**

# The Audi A1 Sportback.

Spacious, sporty, emotive. The Audi A1 Sportback redefines the compact segment. Its striking design with genes of the sporty Ur-quattro characterizes the second generation of this compact car. The interior is accordingly driver-focused, with its emotive, customizable design. With its infotainment and driver assistance systems on par with the full-size class, the A1 Sportback is firmly networked with the digital world.

This pricelist will make it easy for you to build your A1 Sportback, taking you through all the model, engine and option choices. The online configurator is also available to build your dream car.





## Engines

Engine	Fuel type	Transmission	Power output (kW)	Torque (Nm)	Fuel consumption (l/100 km)			CO <sub>2</sub> emissions (g/km)	0 – 100 km/h (sec)	Top speed (km/h)	RRP*
					Urban	Extra urban	Combined				
30 TFSI Advanced	Petrol	S tronic	85	200	5.9	4.2	4.8	119	9.4	203	R 530,900
30 TFSI Black Edition	Petrol	S tronic	85	200	5.9	4.2	4.8	119	9.4	203	R 593,390

Fuel consumption and CO<sub>2</sub> data applies to the German Market. The specified values are determined in accordance with certain test procedures. The specifications do not refer to an individual vehicle but serve only as a basis for comparing the different types of vehicles. In addition, the consumption figures achieved during normal driving may differ from the test values, depending in particular on special equipment fitted, vehicle loading, personal driving style, road and traffic conditions, environmental factors and conditions of the car. Pricing and specification is valid for vehicles produced from model year 2025 onwards.

\* RRP is inclusive of VAT, CO<sub>2</sub> emissions tax and an optional 5 year/100,000km Audi Freeway Plan



## Standard Equipment | A1 30 TFSI

### Wheels:

- ▶ 17" wheels, 5-V-Spoke, Graphite Gray, gloss turned finish (Advanced)
- ▶ 17" Wheels, 5-arm polygon, Black (Black Edition)
- ▶ Anti-theft wheel bolts
- ▶ Space-saving spare wheel
- ▶ Tyre pressure monitoring system
- ▶ Tool kit and jack

### Performance & suspension:

- ▶ Speed limiter
- ▶ Electronic Stability Control (ESC)
- ▶ Electromechanical power steering
- ▶ Hill start assist
- ▶ Sport suspension
- ▶ Start/stop system with regenerative braking

### Lighting:

- ▶ Halogen headlights (Advanced)
- ▶ Headlight range control
- ▶ Light/rain sensor
- ▶ Separate daytime running lights
- ▶ Rear lights
- ▶ Headlights
- ▶ LED Lights (Black Edition)

### Exterior equipment:

- ▶ Additional front underbody guard plus underbody stone guard
- ▶ Black decorative trims
- ▶ Exterior mirror covers in Black (Black Edition only)
- ▶ Exterior mirrors, power-adjustable and heated
- ▶ Roof dome in body colour
- ▶ Roof in contrast colour + Contrast package (Black Edition only)

### Audio & communication:

- ▶ Audi Sound system
- ▶ Smartphone interface
- ▶ Digital instrument cluster
- ▶ MMI radio Plus with additional 8.8-inch centre screen
- ▶ Audi Virtual cockpit
- ▶ Voice recognition

### Interior equipment:

- ▶ Accent surfaces unpainted, black
- ▶ Anti-theft alarm system
- ▶ Centre armrest in front
- ▶ Dashboard accent surface in Black glass look
- ▶ Decorative inlays in polygon structure, Black
- ▶ Dimming interior rearview mirror
- ▶ Driver and front passenger airbag with front passenger airbag deactivation
- ▶ "Delta" fabric seat upholstery
- ▶ Floor mats in front and rear
- ▶ Folding rear seat backrest
- ▶ Front passenger seat with height adjustment
- ▶ Hand brake lever handle in leather
- ▶ Head restraints in front and rear
- ▶ Headliner in titanium grey fabric
- ▶ i-Size child seat mounting on front passenger side and on outer rear seats
- ▶ Leather-wrapped steering wheel, 3-spoke, with multi-function Plus
- ▶ Luggage compartment package with variable loading & luggage net
- ▶ Manual air conditioning system
- ▶ Standard seats in front
- ▶ USB type A interface for charging external devices
- ▶ Windshield with heat-insulating glass

## Trim lines | A1

### Advanced Trim



- ▶ Advanced exterior bumpers
- ▶ Radiator grille in titanium black
- ▶ Frame of the radiator grille in matt aluminum silver
- ▶ Side air intakes in front matt black, grained, with C-frame in titanium black
- ▶ Side front spoiler lips black matt grained
- ▶ Diffuser in titanium black matt
- ▶ Door sills with aluminum inserts front, unlit, without lettering
- ▶ 17-inch wheel



## Black Edition

### Standard equipment

Metallic paint

17-inch wheel, black

Sport seats

Fabric upholstery in Novum cloth

Black appearance package plus

Without engine power/technology nameplate

Roof dome in contrasting colour

Contrast package

Lights package

LED Headlamps and LED rear combination lamps








Park assist with parking aid plus

Technology package







## Paint | A1

			Advanced	Black Edition
B4B4		Cortina White, solid	R 0	R 0
N8N8		Dew silver, metallic	R 2,620	R 2,620
M4M4		District Green, metallic	R 2,620	R 2,620
2Y2Y		Glacier White, metallic	R 2,620	R 2,620
H1H1		Manhattan Grey, metallic	R 2,620	---
0E0E		Mythos Black, metallic	R 2,620	R 2,620
B1B1		Progressive Red metallic	R 2,620	R 2,620
1X1X		Arrow Grey, pearlescent	R 2,620	R 2,620
2D2D		Navarra Blue, metallic	R 2,620	R 2,620
Z7Z7		Chronos Grey, metallic	---	R 2,620



## Contrast roof colours | A1




Contrasting roof dome, exterior mirror housing, front spoiler lip and side skirts in Mythos Black Metallic or Manhattan Grey Metallic

			Advanced	Black Edition
6H4 + 6FE (H1)		Manhattan Grey, metallic	R 11,130	R 11,130
6H4 + 6FE (0E)		Mythos Black, metallic	R 11,130	R 11,130





## Wheels & tyres | A1

Wheels & tyres:			30 TFSI	
			Adv	Black Edition
CQ6		17" Cast alloy wheels, 5-spoke-V style, Contrast Grey, 7.5J x 17 with 215/45 R17 tyres	S	---
C5I		17" Audi Sport wheels, 5-twin-spoke, Graphite Gray, gloss turned finish, 7.5J x 17, 215/45 R17 tyres	R9,500	---
C5Q		17" Wheels, 5-arm polygon, Black, 7.5J x 17, 215/45 R17 tyres	---	S



## Packages | A1

Equipment packages:		30 TFSI	
		Adv	Black Edition
W1G	<p><b>Lights package</b></p> <p>Includes the following equipment:</p> <ul style="list-style-type: none"> <li>• LED headlights</li> <li>• LED rear lights with dynamic indicators</li> <li>• LED interior lighting</li> <li>• Anti-glare interior mirror</li> </ul>	R 15,640	S
WDP	<p><b>Technology package</b></p> <p>Includes the following equipment:</p> <ul style="list-style-type: none"> <li>• Audi virtual cockpit (fully digital 10.25 inch instrument cluster with a variety of additional functions and content)</li> <li>• Audi smartphone interface (enables Apple CarPlay and Android Auto, also includes one USB type A and USB type C interface)</li> <li>• Audi sound system (eight speakers including centre speaker and subwoofer, 6-channel amplifier with a total output of 180 watts.)</li> </ul>	S	S



## Optional equipment | A1

Exterior equipment:		30 TFSI	
		Adv	Black Edition
6XE	Exterior mirrors, power-adjustable, heated and folding, incl. front passenger exterior mirror lowering feature with integrated LED flashing light. The passenger mirror folds down when the reverse gear is engaged and allows the driver optimum visibility of the curb.	R 4,310	R 4,310
6FA	Body-coloured exterior mirrors	No cost	---



## Optional equipment | A1

Interior equipment:		30 TFSI	
		Adv	Black Edition
QQ2	<b>Contour ambient lighting, multi-colour</b> Choice of 30 colours. Contour lighting, entrance lighting on the underside of rear doors, side ambient lighting of the centre console, storage compartment lighting	R 5,150	R 5,150
PG3	<b>Comfort key</b> Access and authorization system that works through automatic data exchange between key and vehicle, allowing the driver to keep their car key in their pocket or bag at all times. To unlock and open, simply lift the exterior door handle. Pressing the start/stop button integrated in the centre console starts and stops the engine.	R 6,720	R 6,720
QJ1	<b>Interior in aluminium look</b> Mirror adjustment switch, power window switch, handbrake push button, cover 12-volt power outlet and Audi virtual cockpit frame (if ordered) in aluminium matte silver	R 1,160	R 1,160
QE1	<b>Storage package</b> The storage package creates additional storage space and further storage options: <ul style="list-style-type: none"> <li>• Lockable glove compartment</li> <li>• Storage bags for the backrest driver and front passenger side</li> <li>• On-board accountant under driver's seat</li> <li>• Compartment under passenger seat</li> </ul>	---	No Cost
2PK	<b>Sports contour leather-wrapped steering wheel with multifunction plus, 3-spoke, shift paddles, flat-bottomed</b>	R 3,570	R 3,570
6NQ	<b>Black headlining</b>	---	R 3,150
2Z7	<b>Removal of engine power/technology nameplate</b>	No cost	No cost



## Optional equipment | A1

Seats & upholstery:		30 TFSI	
		Adv	Black Edition
PS1	<b>Sport seats</b> Forces Derby/Novum cloth at no additional cost or leather/leatherette at additional cost	R 5,360	S
N0L	<b>Novum cloth seats</b> Only in combination with Sport seats	No cost	S
N4M	<b>Leather/leatherette seats</b> Only in combination with Sport seats	R 13,280	R 13,280
Inlays & accents:			
5MB	<b>Decorative inlays in polygon structure, Slate Grey fine paint</b> For the dashboard.	R 1,260	S
0UK	<b>Accent surfaces in Silver Grey diamond paint</b> For the insert of the vents and the centre console and in the recessed grip of the inside door handle.	R 530	S



## Optional equipment | A1

Technology:		30 TFSI	
		Adv	Black Edition
9VS	<p><b>SONOS premium sound system with 3D sound</b> High-performance speakers including center speaker and subwoofer enable an outstanding sound experience. With 12-channel amplifier with a total output of 560 watts, the music can be experienced up close and in its full intensity. Virtual 3D sound effect creates an intense sound experience. This is through 4 loudspeakers in the Instrument panel, 2 loudspeakers in the C-pillar. An all-round sound is created through reflections on the windshield, which conveys a stronger "feeling right in the middle". Thanks to intelligent signal processing, all occupants enjoy a sound adapted to their seat. The vehicle interior appears acoustically larger, and music can unfold in its most original form. The playback is authentic at all times and the strength of the effect always matches the audio material.</p>	---	R 9,790
9ZE + GB1	<p><b>Audi phone box</b> Offers wireless charging with Qi enabled compatible phones and creates an additional Bluetooth interface for a second device which means two mobile phones can be connected to the vehicle simultaneously.</p>	R 5,670	R 5,670
PNA + EL5 + IT3	<p><b>MMI Navigation plus with MMI touch</b> Includes: navigation system; 10.1-inch colour display; online MAP update, 3D map display showing sights, MMI search, free text search via handwriting recognition; natural language; includes Audi connect infotainment and navigation features.</p>	R 34,000	R 34,000



## Optional equipment | A1

Assistance systems:		30 TFSI	
		Adv	Black Edition
7X1	<p><b>Rear parking aid</b></p> <p>The rear parking aid supports rear parking and maneuvering within the system boundaries by acoustically displaying the distance to a detected object behind the vehicle.</p>	R 5,670	---
7X2	<p><b>Parking system plus</b></p> <p>Acoustic and visual park assist system for the front and rear with the MMI screen display showing a graphic representation of the distance to any obstacles detected outside and within the driving path.</p>	R 10,820	---
7X5	<p><b>Parking assistant with parking aid plus</b></p> <p>Ultrasonic sensors are used to search for suitable parking spaces. The parking path is calculated for perpendicular parking spaces, and the parking and exit paths are calculated for parallel parking spaces. The driver has to accelerate, shift, brake and monitor the parking process. The pure steering process is taken over by the system. The display of the surroundings warns of obstacles in front of and behind the vehicle and in the area to the side of the vehicle within the system limits.</p>	---	S
KA2	<p><b>Rear view camera system</b></p> <p>The reversing camera detects the area behind the vehicle within the system limits and displays it using dynamic display elements in the MMI display. The reversing camera is inconspicuously integrated into the handle of the boot lid and activated by engaging reverse gear or via a button in the centre console. Must be ordered with parking system plus.</p>	R 5,870	R 5,870



# Important information

## Welcome to Audi

### **Audi Freeway Plan | Motoring Peace of Mind**

There can be no better motoring peace of mind than knowing that your car will be serviced, maintained and repaired, should this prove necessary, at no cost to you. Thanks to Audi Freeway Plan, that peace of mind could be yours.

The Audi Freeway Plan absorbs all maintenance and service costs, with the exception of between-service top-up fluids, fuel, cracked or broken glass, and tires.

Recommended retail pricing is inclusive of an optional 5 year/100,000 km Audi Freeway Plan on all new Audi vehicles.

Top-up options to extend maintenance are available at extremely competitive rates. Audi has specially designed the Audi Freeway Plan for easy operation on the part of the owner. Making an appointment with any one of our approved Audi Servicing Dealers can effect regular servicing and maintenance as well as repairs (with the exception of accident damage).

All work is handled by the relevant service department, which will liaise directly with the Audi Freeway Plan Maintenance Unit. No extra effort or payment is required from the Audi owner. The Audi Freeway Plan is registered with the vehicle and as such is transferable to the new owner should the car be sold before the Audi Freeway Plan has expired, giving added resale value. The Audi Freeway Plan is available in addition to Audi's standard one-year/unlimited distance vehicle warranty. The Audi Freeway Plan is subject to certain exclusions, covers any repairs necessary after the expiry of the standard warranty.

### **Audi Assist | Emergency and Personal Assistance**

Audi Assist is a program whereby Audi of South Africa and its Dealer Network pledge to provide you with peace of mind motoring by providing the infrastructure to support a countrywide emergency service 24 hours a day, every day.

The program is known as Audi Assist and operates within the borders of South Africa as well as Namibia and Botswana. The objective of the program is to ensure on the spot roadside assistance offered by a fully equipped and trained Audi technician.

The primary focus is to get you mobile in your own vehicle. Where a roadside repair cannot be effected and the vehicle needs to be towed to the nearest Audi dealer, you and the occupants of the vehicle will be transported to a place of safety in the dealer's roadside assistance vehicle.

Contact details within South Africa:  
086 043 4838

Contact details for neighbouring states:  
+27 41 994 5616

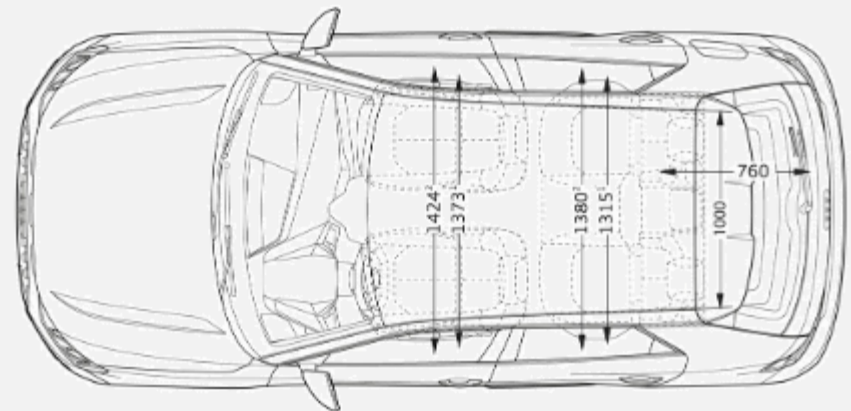
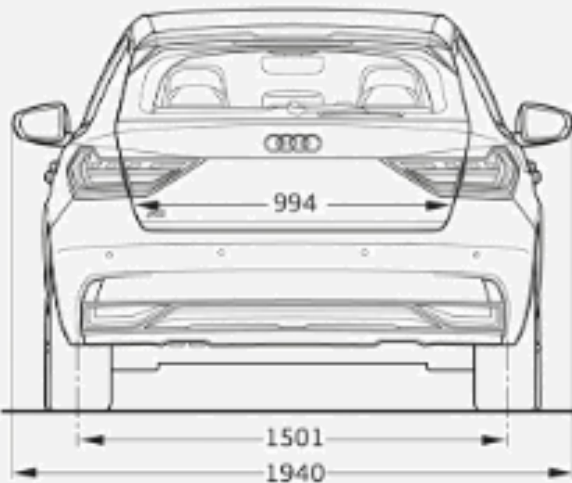
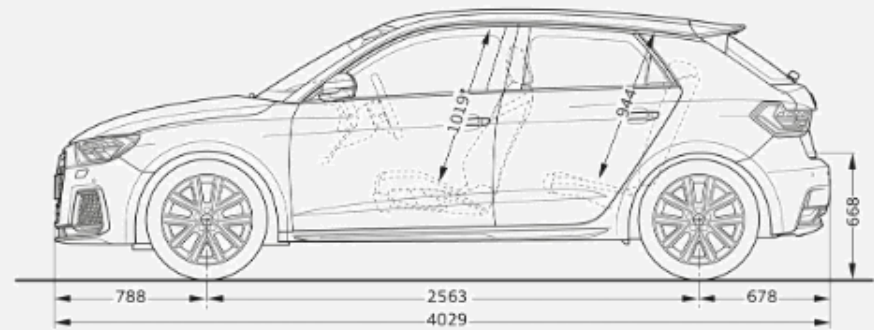
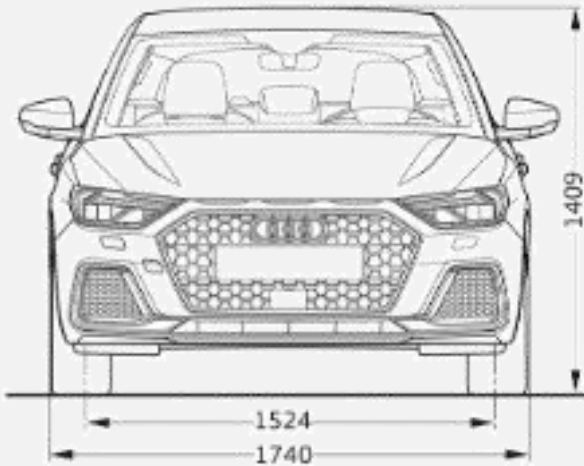
24 hours a day, 7 days a week

Vehicle model and VIN number will be required.





## A1 dimensions



A1 luggage capacity:  
335l (rear seats up)



### Information in this pricelist

We've done all we can to make the prices, specifications, technical details and all other information you see in this pricelist accurate at the time of publication. We reserve the right to change prices or specification at any time. All prices shown include VAT, which is currently charged at 15%. Recommended retail pricing is not binding on the dealer and is inclusive of an optional 5 year/100,000km Audi Freeway Plan. Pricing and specification is valid for vehicles produced from model year 2025 onwards.

Please check model availability and full specification details with your Audi Dealership prior to ordering. Neither Audi South Africa nor Audi Dealers can accept contractual responsibility for your reliance on the information contained in this pricelist. Performance figures and specifications relating to Audi vehicles are indicative only and performance cannot be guaranteed. Performance figures and specifications may be updated from time to time, when new test results or other information become available. Your local Audi Dealership can always provide you with the most up-to-date information available. Written and visual depictions (including photographs) of vehicles, are for illustrative purposes only and should not be relied upon. Some illustrations may not accurately reflect South African specifications (including paint and trim colours) and may not be available. If in doubt, always contact your local Audi Dealership