

 **RS Q8**

**performance**

**March 2025**

# The Audi RS Q8 performance

The most powerful SUV coupé from Audi: With 471kW, the new RS Q8 performance takes the top position among models from Audi Sport. It impresses with an expressive exterior and breathtaking dynamics, supported by standard ceramic brakes and very well-coordinated drive and chassis components..

This pricelist will make it easy for you to build your RS Q8, taking you through the model and option choices. The online configurator is also available to build your dream car.



# RS Q8 performance



## Engine and Pricing | RS Q8 performance

Engine	Fuel type	Transmission	Power output (kW)	Torque (Nm)	Fuel consumption (l/100 km)			CO <sub>2</sub> emissions (g/km)	0 – 100 km/h (sec)	Top speed (km/h)	RRP*
					Urban	Extra urban	Combined				
RS Q8 TFSI performance quattro	Petrol	tiptronic	471	850	16.7	9.5	12.2	277	3.6	250	R 3,266,100

Fuel consumption and CO<sub>2</sub> data applies to the German Market. The specified values are determined in accordance with certain test procedures. The specifications do not refer to an individual vehicle but serve only as a basis for comparing the different types of vehicles. In addition, the consumption figures achieved during normal driving may differ from the test values, depending in particular on special equipment fitted, vehicle loading, personal driving style, road and traffic conditions, environmental factors and conditions of the car.

\* RRP is inclusive of VAT, CO<sub>2</sub> emissions tax and an optional 5 year/100,000km Audi Freeway Plan



## Standard Equipment | RS Q8 performance

### Wheels

- Audi Sport wheels, 6-Y-twin-spoke, Silk Matt Gray, gloss turned finish, 10.5J x 23, 295/35 R23 tyres
- RS ceramic brakes, front & rear, with brake calipers in Blue
- Tyre pressure monitoring system
- Tyre repair kit
- Wheel bolts with anti-theft protection and loose wheel detection

### Performance and suspension

- 48-V electric system and active battery cooling
- adaptive air suspension sport
- Audi drive select
- Electromechanical power steering
- Mild hybrid
- quattro (with self-locking centre differential)
- RS sport exhaust system
- Start-stop system

### Lighting

- Digital OLED rear lights
- HD matrix LED headlights with Audi laser light

### Safety and convenience

- Adaptive cruise control with speed limiter, efficiency, swerve and turn assist
- Airbags, front; front passenger airbag can be deactivated
- All-wheel steering
- Anti-theft alarm
- Audi pre sense front
- Audi pre sense rear
- Convenience key with sensor-controlled release of the luggage compartment lid, with Safelock

- Electric luggage compartment cover
- Head-up display
- Lane departure warning with emergency assist
- Park assist with parking system plus
- Power latching function for doors
- Side airbags, front and rear and head airbag system
- Side assist with exit warning and rear cross-traffic assist
- Surround view cameras
- Trailer hitch

### Exterior Equipment

- Exterior mirror housings in Matt Grey
- Exterior mirrors, electrically adjustable, heated and folding, automatic. dimming, with memory function
- Panoramic glass roof
- RS bumpers in body colour (full paint finish)
- RS door sill trims
- RS roof edge spoiler
- Singleframe mask in Black
- Window trim strips in Matt Grey with Audi rings and emblem in chrome look

### Audio and communications

- Audi Application Store and smartphone interface
- Audi connect emergency call & service with Audi connect remote & control
- Audi connect navigation & infotainment
- Audi phone box
- Audi virtual cockpit plus with additional RS layout
- Bang & Olufsen 3D Premium sound system



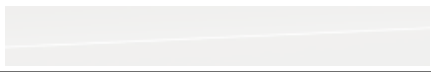








## Standard Equipment | RS Q8 performance continued...

### Interior Equipment

- 4-way lumbar support for the front seats
- 4-zone deluxe automatic air conditioning
- Ambient lighting package plus
- Comfort centre armrest, front
- Control buttons in Gloss Black with haptic feedback and aluminium-look interior
- First-aid kit with warning triangle
- Floor mats, front and rear
- Front seats, electrically adjustable with memory function
- Headlining in cloth, Black
- Inlays, Aluminum Race, Anthracite
- Interior mirror, automatically dimming, frameless
- ISOFIX child seat mounting and top tether for the rear seat bench
- ISOFIX child seat mounting for the front passenger seat
- Leather steering wheel, 3-spoke with multifunction, shift paddles and steering wheel heating
- Loading sill protector, stainless steel
- Luggage compartment lid, electrically opening and closing
- Rear seat bench plus
- Seat heating, front and rear
- Seat ventilation and massage function, front
- Sport seats plus, front
- Stainless steel pedals and footrest
- Steering wheel adjustment, electric
- Sun visors, front, sliding
- Sunshade, electric for the rear side windows, manual for the rear window
- Upper and lower interior elements in leather
- USB ports with charging function in the first and second seat row
- Valcona leather upholstery and trim, perforated with honeycomb pattern

# RS Q8 performance



Paint   RSQ8 performance			RS Q8 performance
0Q0Q		Carrara White	No cost
W0W0		Chili Red Metallic	R 2,300
2Y2Y		Glacier White Metallic	R 2,300
0E0E		Mythos Black Metallic	R 2,300
F0F0		Satellite Silver Metallic	R 2,300
D6D6		Waitomo Blue Metallic	R 2,300
9W9W		Ascari Blue Metallic	R 42,000
2Z2Z		Sakhir Gold Metallic	R 42,000
6Y6Y		Daytona Grey Pearl Effect	R 24,500
Q0Q0		Audi exclusive customized paint finishes	R 140,000

Options are subject to availability and may extend time taken for delivery. All the colour swatches on this page are matched as accurately as possible to the actual paint colours used. Audi South Africa cannot guarantee that colours shown are 100% accurate. Visit your local Audi Centre for a more accurate colour swatch. \*Audi exclusive paint is subject to factory approval. Visit your local Audi Centre for colour samples.

# RS Q8 performance



## Wheels & tyres | RS Q8 performance

		RS Q8 performance
64M	Wheels, 6-Y-twin-spoke, Black Metallic, gloss turned finish, 10.5J x 23, 295/35 R23 tyres	No cost
64L	Wheels, 6-Y-twin-spoke, Matt Neodymium Gold, 10.5J x 23, 295/35 R23 tyres	No cost
64J	Wheels, 5-Y-spoke, Matt Contrasting Black, 10.5J x 23, 295/35 R23 tyres	R 42,000
H6H	Performance SUV tyres from Pirelli, 295/35 R23 P Zero	R 10,000

23"



64M



64L



64J





## Optional extras | RS Q8 performance

Equipment packages:		RS Q8 performance
PA6	<p><b>Black Styling package</b></p> <ul style="list-style-type: none"> <li>· RS exterior features in black</li> <li>· RS bumpers in sporty, dynamic design, front, with radiator grille in honeycomb structure and large air inlets in gloss black as well as front spoiler in gloss black</li> <li>· Singleframe mask in gloss black</li> <li>· Diffuser insert, rear with horizontal bar in gloss black</li> <li>· Trim strips on the side windows in gloss black</li> <li>· Audi rings, front and rear in polar white</li> </ul> <p>(Black styling package plus including Audi rings in anthracite grey and RS Q8 logo in gloss black can be optionally combined)</p>	R 33,000
4ZP	<p><b>Black Styling package plus</b></p> <p>The black styling package plus includes, in addition to the black styling package:</p> <ul style="list-style-type: none"> <li>· Audi rings, front and rear in anthracite grey as well as RS Q8 logo on the luggage compartment lid in gloss black</li> </ul>	R 6,600
PQA	<p><b>Matte Carbon/Black Styling package</b></p> <p>The matte carbon/black styling package includes:</p> <ul style="list-style-type: none"> <li>· RS exterior features, front with large air inlets, front spoiler and Singleframe mask in matte carbon</li> <li>· Diffuser insert, rear in matte carbon with horizontal bar in gloss black</li> <li>· Trim strips on the side windows in gloss black</li> <li>· Audi rings, front and rear in polar white as well as RS Q8 logo in black</li> <li>· Rear trim in matte carbon</li> </ul>	R 116,000





## Optional extras | RS Q8 performance

Equipment packages:		RS Q8 performance
YXE	<p>RS design package, Black/Silver, Audi exclusive</p> <p>The RS design package, black/silver, Audi exclusive for sport seats plus, front in Valcona leather includes:</p> <ul style="list-style-type: none"> <li>• Seat upholstery in Valcona leather, black with all-round strip, honeycomb pattern and contrasting stitching in silver</li> <li>• Rhombus RS embroidery in silver on the seat backrests</li> <li>• Door trim inserts in Dinamica microfiber, black with Audi exclusive emblem</li> <li>• Comfort centre armrest, front in black with contrasting stitching in silver</li> <li>• Upper part of instrument panel, door rails, door armrests and steering wheel in leather, black with contrasting stitching in silver</li> <li>• Selector lever handle in leather, black</li> <li>• Upper section of centre console (knee bolster) in leather, silver; lower section of centre console in leather, black with contrasting stitching in silver</li> <li>• Seat belts in silver</li> <li>• Floor mats in black with edging in black, piping, contrasting stitching and rhombus RS embroidery in silver</li> </ul>	R 210,000
PEI	<p>RS Design package, Blue plus</p> <p>The RS design package, blue plus includes the following items from the RS design package, blue:</p> <ul style="list-style-type: none"> <li>• Steering wheel rim in Alcantara<sup>2</sup>, black with contrasting stitching in mercato blue</li> <li>• Selector lever handle in Dinamica<sup>3</sup> microfiber, black</li> <li>• Instrument panel and door rails in fine Nappa leather, black</li> <li>• Sides of the centre console in Dinamica<sup>3</sup> microfiber, black with contrasting stitching in mercato blue</li> <li>• Seat belts in blue<sup>4</sup></li> <li>• Floor mats in black with contrasting stitching in mercato blue and RS logo at front</li> </ul>	R 65,000



## Optional extras | RS Q8 performance

<u>Equipment packages:</u>		RS Q8 performance
PEB	<p>RS Design package, Grey plus</p> <p>The RS design package, grey plus includes the following items from the RS design package, grey:</p> <ul style="list-style-type: none"> <li>· Steering wheel rim in Alcantara, black with contrasting stitching in grey</li> <li>· Selector lever handle in Dinamica microfiber, black</li> <li>· Depending on the interior selected, instrument panel, door rails, armrests and comfort centre armrest in fine Nappa leather, black or fine Nappa leather, black with contrasting stitching in grey</li> <li>· Sides of the centre console in Dinamica microfiber, black with contrasting stitching in grey</li> <li>· Seat belts in black with grey edge</li> <li>· Floor mats in black with contrasting stitching in grey and RS logo at front</li> </ul>	R 65,000
PEJ	<p>RS Design package, Red plus</p> <p>The RS design package, red plus includes the following items from the RS design package, red:</p> <ul style="list-style-type: none"> <li>· Steering wheel rim in Alcantara, black with contrasting stitching in express red</li> <li>· Selector lever handle in Dinamica microfiber, black</li> <li>· Instrument panel and door rails in fine Nappa leather, black</li> <li>· Sides of the centre console in Dinamica microfiber, black with contrasting stitching in express red</li> <li>· Seat belts in black with red edge</li> <li>· Floor mats in black with contrasting stitching in express red and RS logo on front mats</li> </ul>	R 65,000
4ZR	<p>Window trim strips in Matte Grey with Audi rings and emblem in Black</p> <p>Window trim strips in matt grey with Audi rings in anthracite grey and emblem in black</p>	R 6,800



## Optional extras | RS Q8 performance

<u>Exterior equipment:</u>		RS Q8 performance
6FJ	Exterior mirror housings in Black	R 2,500
6FI	Exterior mirror housings in matte carbon	R 19,700
3S2	Roof rails in Black	R 9,000
QL5	Privacy glazing for the rear windows	R 10,000
<u>Interior equipment:</u>		
7HL	Extended interior elements in leather	R 12,000
5ML	Inlays, Brushed Aluminum Diagonal, Black	R 17,700
5MH	Inlays, Carbon Twill, matte	R 28,600
6NS	Headlining in Dinamica microfiber, Black	R 33,000
2PF	Sport contour leather steering wheel, 3-spoke, flat bottom with multifunction and shift paddles (only available in combination with RS design packages)	No cost



## Optional extras | RS Q8 performance

<u>Assistance systems &amp; Technology</u>		RS Q8 performance
1D9	<p><b>Trailer hitch including trailer assist</b></p> <p>The trailer hitch with electrically swivelling ball head can be conveniently unlocked at a button in the luggage compartment. The Electronic Stabilisation Control (ESC) function stabilises the trailer while on the road. A swivelling system socket allows continuous use of electrical equipment on the trailer or in a caravan. The trailer hitch and the system socket can be swivelled out of sight behind the bumper skirt when not in use.</p>	R 6,600
8RF	<p><b>Bang &amp; Olufsen 3D Advanced Sound System</b></p> <p>The Bang &amp; Olufsen 3D Advanced Sound System includes:</p> <ul style="list-style-type: none"> <li>• 23 loudspeakers including 3D loudspeakers, centre speaker and subwoofer</li> <li>• Highly efficient ICE Power amplifiers with a total output of 1,920 watts</li> <li>• Dynamic driving noise compensation</li> <li>• Speed-sensitive volume adjustment</li> </ul>	R 118,000
6I6	<p><b>Adaptive cruise assist with emergency assist</b></p> <p>Adaptive cruise assist uses the radar sensor built into the front of the vehicle, the front camera and the ultrasonic sensors to permanently monitor the vehicle's surroundings. In addition, the system is supported by a steering wheel with hands-on-wheel detection in specific steering wheel design. The integrated emergency assist can warn the driver of critical situations and, if necessary, initiate safety measures and place an emergency call.</p>	No cost
PCF	<p><b>Remote park assist</b></p> <p>Remote park assist plus is controlled outside the vehicle via the intuitive myAudi app. The parking process can be actively controlled by keeping the 'P' button on the control panel pressed. Within system limits, the vehicle brakes automatically if obstacles are detected.</p>	R 2,200



## Optional extras | RS Q8 performance

<u>Assistance systems &amp; Technology</u>		RS Q8 performance
9R1	<p><b>Night vision assist</b></p> <p>The system assists when driving at night by displaying an infrared thermal image of the vehicle's surroundings in front of the vehicle in the display of the Audi virtual cockpit. People and larger wild animals are highlighted in the display in yellow. If, based on their movements and position, the system detects a potentially hazardous situation, the marking turns to red. A warning triangle is also displayed and an acoustic warning is emitted.</p>	R 49,900
PC9	<p><b>RS ceramic brake system with brake calipers in Red</b></p> <p>21-inch high-performance brake system with carbon-fiber-reinforced ceramic brake discs, front and rear, specially developed cooling ducts in the ventilated and perforated brake discs; brake callipers painted in gloss red, with "Audi ceramic" logo, front and rear</p>	No cost
PHZ	<p><b>Suspension package advanced</b></p> <p>The advanced suspension package includes:</p> <ul style="list-style-type: none"> <li>· Active roll stabilisation</li> <li>· quattro with sport differential</li> </ul>	R 108,000
4X9	<p><b>Audi pre sense rear package</b></p> <p>The package includes a selection of functions that increase the safety and comfort of occupants sitting on the rear seat bench:</p> <ul style="list-style-type: none"> <li>· Side airbags in the rear to supplement the side airbags, front and head airbag system.</li> <li>· Reversible rear seat belt tensioners supplement the reversible front seat belt tensioners contained in Audi pre sense basic so that – in addition to the measures contained in Audi pre sense basic – the rear seat belts are tensioned early in response to emergency or evasive braking and when handling at the absolute limits</li> </ul>	R 5,500
6Y7	<p><b>Top speed increased to 305 km/h</b></p> <p>For a breathtaking driving experience at speeds of up to 305 km/h. The top speed is electronically regulated.</p>	R 56,000



## Important information

### Welcome to Audi

#### **Audi Freeway Plan | Motoring Peace of Mind**

There can be no better motoring peace of mind than knowing that your car will be serviced, maintained and repaired, should this prove necessary, at no cost to you. Thanks to Audi Freeway Plan, that peace of mind could be yours.

The Audi Freeway Plan absorbs all maintenance and service costs, with the exception of between-service top-up fluids, fuel, cracked or broken glass, and tyres.

Recommended retail pricing is inclusive of an optional 5 year/100,000 km Audi Freeway Plan on all new Audi vehicles.

Top-up options to extend maintenance are available at extremely competitive rates. Audi has specially designed the Audi Freeway Plan for easy operation on the part of the owner. Making an appointment with any one of our approved Audi Servicing Dealers can effect regular servicing and maintenance as well as repairs (with the exception of accident damage).

All work is handled by the relevant service department, which will liaise directly with the Audi Freeway Plan Maintenance Unit. No extra effort or payment is required from the Audi owner. The Audi Freeway Plan is registered with the vehicle and as such is transferable to the new owner should the car be sold before the Audi Freeway Plan has expired, giving added resale value. The Audi Freeway Plan is available in addition to Audi's standard one-year/unlimited distance vehicle warranty. The Audi Freeway Plan is subject to certain exclusions, covers any repairs necessary after the expiry of the standard warranty.

#### **Audi Assist | Emergency and Personal Assistance**

Audi Assist is a programme whereby Audi of South Africa and its Dealer Network pledge to provide you with peace of mind motoring by providing the infrastructure to support a countrywide emergency service 24 hours a day, every day.

The programme is known as Audi Assist and operates within the borders of South Africa as well as Namibia and Botswana. The objective of the programme is to ensure on the spot roadside assistance offered by a fully equipped and trained Audi technician.

The primary focus is to get you mobile in your own vehicle. Where a roadside repair cannot be effected and the vehicle needs to be towed to the nearest Audi dealer, you and the occupants of the vehicle will be transported to a place of safety in the dealer's roadside assistance vehicle.

Contact details within South Africa:  
086 043 4838

Contact details for neighbouring states:  
+27 41 994 5616

24 hours a day, 7 days a week

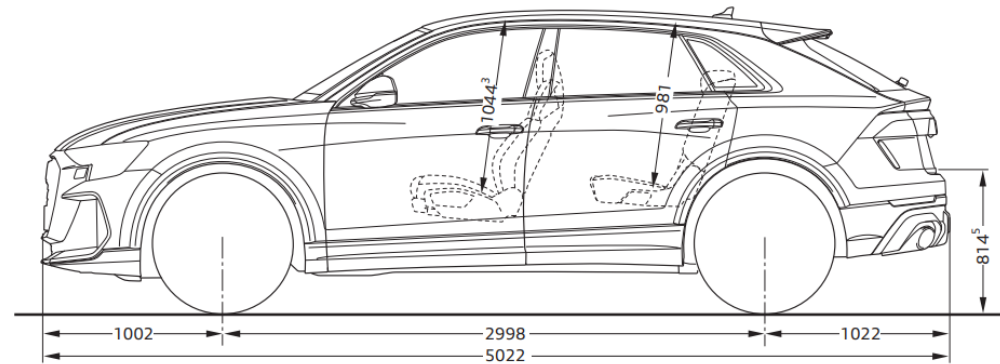
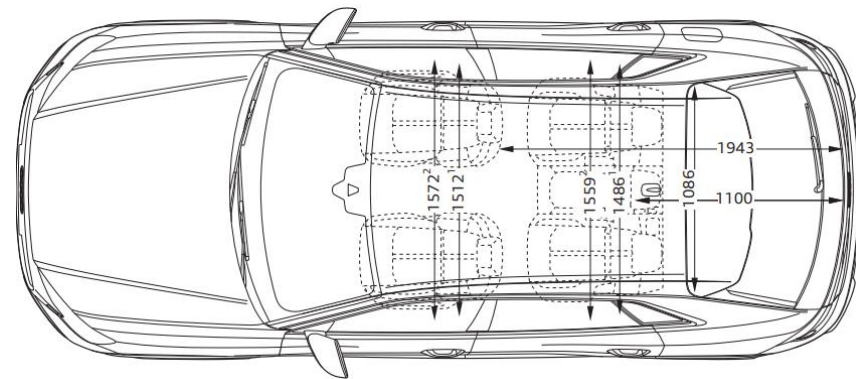
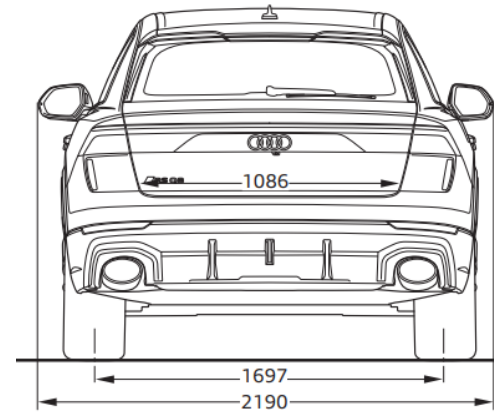
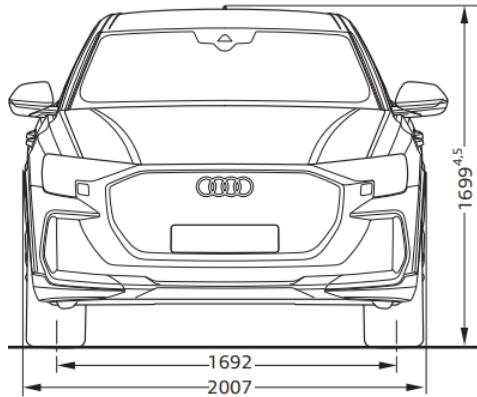
Vehicle model and VIN number will be required.

# RS Q8 performance



## RS Q8 performance dimensions

All the measurements you need



Luggage capacity = 605l-1755l



# RS Q8 performance



## Information in this pricelist

We've done all we can to make the prices, specifications, technical details and all other information you see in this pricelist accurate at the time of publication. We reserve the right to change prices or specification at any time. All prices shown include VAT, which is currently charged at 15%. Recommended retail pricing is not binding on the dealer and is inclusive of an optional 5 year/100,000km Audi Freeway Plan. Pricing and specification is valid for vehicles produced from model year 2025 onwards.

Please check model availability and full specification details with your Audi Dealership prior to ordering. Neither Audi South Africa nor Audi Dealers can accept contractual responsibility for your reliance on the information contained in this pricelist. Performance figures and specifications relating to Audi vehicles are indicative only and performance cannot be guaranteed. Performance figures and specifications may be updated from time to time, when new test results or other information become available. Your local Audi Dealership can always provide you with the most up-to-date information available. Written and visual depictions (including photographs) of vehicles, are for illustrative purposes only and should not be relied upon. Some illustrations may not accurately reflect South African specifications (including paint and trim colours) and may not be available. If in doubt, always contact your local Audi Dealership.