

Q7 | SQ7

January 2025

The Audi Q7.

A redesigned exterior and interior, a compelling driving experience thanks to quattro all-wheel drive and intelligent suspension solutions, a powerful design and plenty of space for up to seven passengers – this is the Audi Q7 and SQ7.

This pricelist will make it easy for you to build your Q7 or SQ7, taking you through all the model, engine and option choices. The online configurator is also available to build your dream car.



Note: vehicle depicted may contain equipment not currently available for the South African market.



Engines

Engine	Capacity	Fuel type	Transmission	Power output (kW)	Torque (Nm)	Fuel consumption (l/100 km)			CO ₂ emissions (g/km)	0 – 100 km/h (sec)	Top speed (km/h)	RRP*
						Urban	Extra urban	Combined				
Q7 55 TFSI quattro Platinum Edition	3.0	Petrol	tiptronic	250	500	11.4	8.0	9.3	210	5.6	250	R 1,958,000
Q7 55 TFSI quattro Black Edition	3.0	Petrol	tiptronic	250	500	11.4	8.0	9.3	210	5.6	250	R 1,987,900
SQ7 55 TFSI quattro	4.0	Petrol	tiptronic	373	770	16.6	9.1	11.9	272	4.1	250	R 2,540,500
SQ7 55 TFSI quattro Black Edition	4.0	Petrol	tiptronic	373	770	16.6	9.1	11.9	272	4.1	250	R 2,574,500

Fuel consumption and CO₂ data applies to the German Market. The specified values are determined in accordance with certain test procedures. The specifications do not refer to an individual vehicle but serve only as a basis for comparing the different types of vehicles. In addition, the consumption figures achieved during normal driving may differ from the test values, depending in particular on special equipment fitted, vehicle loading, personal driving style, road and traffic conditions, environmental factors and conditions of the car. Pricing and specification is valid for vehicles produced from model year 2025 onwards.

* RRP is inclusive of VAT, CO₂ emissions tax and an optional 5 year/100,000km Audi Freeway Plan



Standard Equipment | Q7 Platinum Edition

Wheels:

- ▶ 21-inch Audi Sport wheels, 5-twin-spoke module, Silk Matt Gray, Black inserts
- ▶ Brake calipers painted Red
- ▶ Tyre pressure monitoring system
- ▶ Tyre repair kit
- ▶ Tyres 285/40 R21 109Y xl low rolling resistance
- ▶ Vehicle tool kit
- ▶ Wheel bolts with anti-theft protection and loose wheel detection

Performance & suspension:

- ▶ 48-V electric system
- ▶ Adaptive air suspension
- ▶ Audi drive select
- ▶ Audi pre sense rear
- ▶ Cruise control including speed limiter
- ▶ Electromechanical power steering
- ▶ Hold assist
- ▶ Mild hybrid
- ▶ quattro (with self-locking centre differential)
- ▶ Start-stop system

Lighting:

- ▶ Matrix LED headlights with headlight cleaning system
- ▶ LED rear lights plus

Assistance systems:

- ▶ Anti-theft alarm
- ▶ Lane departure warning with emergency assist
- ▶ Parking system plus
- ▶ Reversing camera
- ▶ Side assist with exit warning and rear cross-traffic assist
- ▶ Convenience key with sensor-controlled release of the luggage compartment lid, with Safelock

Audio & communication:

- ▶ Audi Application Store and smartphone interface
- ▶ Audi connect emergency call & service with Audi connect remote & control*
- ▶ Audi connect navigation & infotainment*
- ▶ Audi phone box
- ▶ LTE support for Audi phone box
- ▶ Audi virtual cockpit plus
- ▶ Bang & Olufsen 3D Premium sound system
- ▶ USB ports with charging function in the first and second seat row

Exterior equipment:

- ▶ Bumpers, S line, in full paint finish
- ▶ Exterior mirrors, electrically adjustable, heated and folding, automatic dimming, with memory function
- ▶ Gloss package
- ▶ Heat-insulating glazing for windshield
- ▶ Panoramic glass roof
- ▶ Roof edge spoiler
- ▶ Roof rails in aluminum
- ▶ S line
- ▶ Trailer hitch
- ▶ Power latching function for doors

Interior equipment:

- ▶ 3rd seat row
- ▶ 4-way lumbar support for the front seats
- ▶ 4-zone deluxe automatic air conditioning
- ▶ Airbags, front; front passenger airbag can be deactivated
- ▶ Ambient lighting package plus
- ▶ Comfort Centre armrest, front
- ▶ Control buttons in Gloss Black with haptic feedback and aluminum-look interior
- ▶ Door sill trims with aluminum inlays, front and rear, illuminated, front with S logo

Standard Equipment | Q7 Platinum Edition

Interior equipment: continued

- ▶ Electric luggage compartment cover
- ▶ Entry LED with projection, front and rear
- ▶ First-aid kit with warning triangle
- ▶ Front seats, electrically adjustable with memory function for the driver seat
- ▶ Headlining in cloth, Black
- ▶ Inlays, Matt Brushed Aluminum with linear embossing, Silver
- ▶ Interior mirror, automatically dimming, frameless
- ▶ ISOFIX child seat mounting and top tether
- ▶ ISOFIX child seat mounting for the front passenger seat
- ▶ Leather steering wheel, 3-spoke with multifunction and shift paddles
- ▶ Loading sill protector, stainless steel
- ▶ Luggage compartment lid, electrically opening and closing
- ▶ Luggage compartment mat
- ▶ S line interior package
- ▶ Seat heating, front
- ▶ Side airbags, front and head airbag system
- ▶ Sport seats, front
- ▶ Stainless steel pedals and footrest
- ▶ Upper interior element with contrasting stitching
- ▶ Valcona leather with S embossing



Standard Equipment | Q7 Black Edition (over and above Platinum Edition)

Exterior equipment:

- ▶ Audi Sport wheels, 5-V-spoke star, Anthracite Black, gloss turned finish, 10.0J x 22, 285/35 R22 tyres
- ▶ Black Styling package plus
- ▶ Exterior mirror housings in Black
- ▶ Roof rails in Black
- ▶ Exterior mirrors, electrically adjustable, heated and folding, automatic dimming, with memory function
- ▶ Privacy glazing for rear windows





Standard Equipment | SQ7

Wheels:

- ▶ Audi Sport wheels, 5-V-spoke star, Anthracite Black, gloss turned finish, 10.0J x 22, 285/35 R22 tyres
- ▶ Brake calipers painted Red
- ▶ Space-saving temporary spare wheel
- ▶ Tyre pressure monitoring system
- ▶ Tyres 285/35 R22 106Y XL low rolling resistance
- ▶ Vehicle tool kit and vehicle jack
- ▶ Wheel bolts with anti-theft protection and loose wheel detection

Performance & suspension:

- ▶ Adaptive air suspension sport
- ▶ Adaptive cruise control with speed limiter, efficiency, swerve and turn assist
- ▶ All-wheel steering
- ▶ Audi drive select
- ▶ Audi pre sense rear
- ▶ Cruise control including speed limiter
- ▶ Hold assist
- ▶ Lane departure warning with emergency assist
- ▶ quattro (with self-locking centre differential)
- ▶ Start-stop system

Assistance systems:

- ▶ Anti-theft alarm
- ▶ Park assist with parking system plus
- ▶ Remote park assist plus
- ▶ Side assist with exit warning and rear cross-traffic assist
- ▶ Surround view cameras
- ▶ Side assist with exit warning and rear cross-traffic assist

Lighting:

- ▶ HD matrix LED headlights with Audi laser light, LED rear lights and headlight cleaning system
- ▶ Headlight cleaning system
- ▶ Separate daytime running light

Audio & communication:

- ▶ Audi Application Store and smartphone interface
- ▶ Audi connect emergency call & service with Audi connect remote & control*
- ▶ Audi connect navigation & infotainment*
- ▶ Audi phone box
- ▶ Audi virtual cockpit plus
- ▶ Bang & Olufsen 3D Premium sound system
- ▶ USB ports with charging function in the first and second seat row

Exterior equipment:

- ▶ Bumpers, S model in full paint finish
- ▶ Exterior mirror housings in aluminum look
- ▶ Exterior mirrors, electrically adjustable, heated and folding, automatic dimming, with memory function
- ▶ Gloss package
- ▶ Trailer hitch
- ▶ Panoramic glass roof
- ▶ Roof edge spoiler
- ▶ Roof rails in aluminum

Standard Equipment | SQ7

Interior equipment:

- ▶ 4-way lumbar support for the front seats
- ▶ 4-zone deluxe automatic air conditioning
- ▶ Airbags, front; front passenger airbag can be deactivated
- ▶ Ambient lighting package plus
- ▶ Comfort centre armrest, front
- ▶ Control buttons in Gloss Black with haptic feedback and aluminum-look interior
- ▶ Convenience key with sensor-controlled release of the luggage compartment lid, with Safelock
- ▶ Door sill trims with aluminum inlays, front and rear, illuminated, front with S logo
- ▶ Electric luggage compartment cover
- ▶ Electromechanical power steering
- ▶ Entry LED with projection, front and rear
- ▶ First-aid kit with warning triangle
- ▶ Floor mats, front and rear
- ▶ Front seats, electrically adjustable with memory function for the driver seat
- ▶ Head restraints, front
- ▶ Headlining in cloth, Black
- ▶ ISOFIX child seat mounting and top tether
- ▶ ISOFIX child seat mounting for the front passenger seat
- ▶ Loading sill protector, stainless steel
- ▶ Luggage compartment lid, electrically opening and closing
- ▶ Luggage compartment mat
- ▶ Power latching function for doors
- ▶ Rear and side windows with heat-insulating glazing
- ▶ Rear seat bench plus
- ▶ Safety steering column
- ▶ Seat heating, front
- ▶ Side airbags, front and head airbag system
- ▶ Sport contour leather steering wheel, 3-spoke, flat bottom with multifunction and shift paddles
- ▶ Sport seats plus, front
- ▶ Inlays, Matt Brushed Aluminum with linear embossing, Silver
- ▶ Interior mirror, automatically dimming, frameless
- ▶ Stainless steel pedals and footrest
- ▶ Upper interior element with contrasting stitching
- ▶ Valcona leather with S embossing and rhombus pattern















Standard Equipment | SQ7 Black Edition (over and above Standard)

Exterior equipment:

- ▶ Black Styling package plus
- ▶ Exterior mirror housings in Black
- ▶ Roof rails in Black
- ▶ Privacy glazing for rear windows





Paint Q7			Q7	SQ7
0Q0Q		Carrara White	No cost	No cost
W0W0		Chili Red Metallic	R 2,300	R 2,300
2Y2Y		Glacier White Metallic	R 2,300	R 2,300
0E0E		Myth Black Metallic	R 2,300	R 2,300
F0F0		Satellite Silver Metallic	R 2,300	R 2,300
D6D6		Waitomo Blue Metallic	R 2,300	R 2,300
9W9W		Ascari Blue Metallic	R 42,000	R 42,000
2Z2Z		Sakhir Gold Metallic	R 42,000	R 42,000
6Y6Y		Daytona Grey Pearl	R 24,500	R 24,500
Q0Q0		Individual paint finish, Audi exclusive	R 140,000	R 140,000



Wheels & tyres | Q7

		Q7 Platinum Edition	Q7 Black Edition	SQ7	SQ7 Black Edition
F72	21-inch Audi Sport wheels, 5-twin-spoke module, Silk Matt Gray, Black inserts, 9.5J x 21, 285/40 R21 tyres	S	---	S	S
54K	22-inch Audi Sport wheels, 5-V-spoke star, Anthracite Black, gloss turned finish, 10.0J x 22, 285/35 R22 tyres	---	S	---	---
C9Y	22-inch Audi Sport wheels, multi-spoke S design, Black Metallic, gloss turned finish, 10.0J x 22, 285/35 R22 tyres	R 38,500	---	R 38,500	---

21"



F72

22"



54K



C9Y



Optional equipment | Q7

		Q7 Platinum Edition	Q7 Black Edition	SQ7	SQ7 Black Edition
Lighting:					
PXB	HD matrix LED headlights with Audi laser light, LED rear lights and headlight cleaning system HD matrix LED headlights with Audi laser light become defining elements of a progressive design language. Its exciting light signature makes the vehicle immediately recognizable. The package includes: · HD matrix LED headlights with Audi laser light · LED rear lights plus · headlight cleaning system	R 19,500	R 19,500	S	S
8SC	Digital OLED rear lights The digital OLED technology used for the rear lights creates a fascinating and impressive lighting design. It is also a striking design element, emphasised by very homogeneous and highly contrasting illumination. The flat light source requires no additional reflectors, light guides or lenses. This makes OLEDs efficient and light.	R 23,000	R 23,000	R 23,000	R 23,000
Exterior equipment:					
6FM	Carbon Style package The carbon style package includes: · door inlays in carbon · exterior mirror housings in carbon	R 47,247	---	R 47,247	---
6FQ	Exterior mirror housings in carbon	R 16,200	R 16,200	R 16,200	R 16,200
Interior equipment:					
2PF	Sport contour leather steering wheel, 3-spoke, flat bottom with multifunction and shift paddles Not available in combination with Adaptive cruise assist (6I6)	R 2,700	R 2,700	S	S
1XP	Leather steering wheel, 3-spoke with multifunction, shift paddles and steering wheel heating	R 5,100	R 5,100	R 2,500	R 2,500



Optional equipment | Q7

<u>Interior equipment:</u>		Q7 Platinum Edition	Q7 Black Edition	SQ7	SQ7 Black Edition
YYB	Coloured stitching in Red, Audi Sport GmbH	---	---	R 18,200	R 18,200
PV6	Front seats, electrically adjustable including memory function for both front seats	R 4,900	R 4,900	R 4,900	R 4,900
Q4Q	Sport seats plus, front	R 25,500	R 25,500	S	S
4A4	Seat heating, front and rear	R 9,400	R 9,400	R 9,400	R 9,400
4D8	Seat ventilation and massage function, front	R 31,400	R 31,400	R 31,400	R 31,400
5ZC	Variable head restraints for the front seats	R 3,500	R 3,500	---	---
PE1	3rd seat row	S	S	R 26,500	R 26,500
<u>Seat upholstery, inlays & headlining:</u>					
N0Q	Valcona leather with S embossing and rhombus pattern	No cost	No cost	S	S
7HQ	Upper part of dashboard with contrast stitching and lower part of dashboard in leatherette The upper part of instrument panel with contrasting stitching as well as the door armrests and centre console trim in artificial leather add striking accents in the interior.	R 14,000	R 14,000	R 14,000	R 14,000
7HR	Upper interior element in leather and lower interior elements in artificial leather	---	---	R 44,200	R 44,200
5MH	Inlays, Carbon Twill, matt	R 19,800	R 19,800	R 19,800	R 19,800



Optional equipment | Q7

<u>Assistance systems:</u>		Q7 Platinum Edition	Q7 Black Edition	SQ7	SQ7 Black Edition
6I6	Adaptive cruise assist with emergency assist	R 8,200	R 8,200	R 8,200	R 8,200
8T5	Adaptive cruise control with speed limiter, efficiency, swerve and turn assist	R 25,500	R 25,500	S	S
6K8	Audi pre sense front	R 9,400	R 9,400	R 9,400	R 9,400
KS1	Head-up display	R 32,500	R 32,500	R 32,500	R 32,500
9R1	Night vision assist	R 49,900	R 49,900	R 49,900	R 49,900
<u>Suspension and technology:</u>					
0N5	All-wheel steering	R 26,800	R 26,800	S	S
4X4	Side airbags, front and rear and head airbag system	R 9,400	R 9,400	R 9,400	R 9,400



Important information

Welcome to Audi

Audi Freeway Plan | Motoring Peace of Mind

There can be no better motoring peace of mind than knowing that your car will be serviced, maintained and repaired, should this prove necessary, at no cost to you. Thanks to Audi Freeway Plan, that peace of mind could be yours.

The Audi Freeway Plan absorbs all maintenance and service costs, with the exception of between-service top-up fluids, fuel, cracked or broken glass, and tyres.

Recommended retail pricing is inclusive of an optional 5 year/100,000 km Audi Freeway Plan on all new Audi vehicles.

Top-up options to extend maintenance are available at extremely competitive rates. Audi has specially designed the Audi Freeway Plan for easy operation on the part of the owner. Making an appointment with any one of our approved Audi Servicing Dealers can effect regular servicing and maintenance as well as repairs (with the exception of accident damage).

All work is handled by the relevant service department, which will liaise directly with the Audi Freeway Plan Maintenance Unit. No extra effort or payment is required from the Audi owner. The Audi Freeway Plan is registered with the vehicle and as such is transferable to the new owner should the car be sold before the Audi Freeway Plan has expired, giving added resale value. The Audi Freeway Plan is available in addition to Audi's standard one-year/unlimited distance vehicle warranty. The Audi Freeway Plan is subject to certain exclusions, covers any repairs necessary after the expiry of the standard warranty.

Audi Assist | Emergency and Personal Assistance

Audi Assist is a programme whereby Audi of South Africa and its Dealer Network pledge to provide you with peace of mind motoring by providing the infrastructure to support a countrywide emergency service 24 hours a day, every day.

The programme is known as Audi Assist and operates within the borders of South Africa as well as Namibia and Botswana. The objective of the programme is to ensure on the spot roadside assistance offered by a fully equipped and trained Audi technician.

The primary focus is to get you mobile in your own vehicle. Where a roadside repair cannot be effected and the vehicle needs to be towed to the nearest Audi dealer, you and the occupants of the vehicle will be transported to a place of safety in the dealer's roadside assistance vehicle.

Contact details within South Africa:

086 043 4838

Contact details for neighbouring states:

+27 41 994 5616

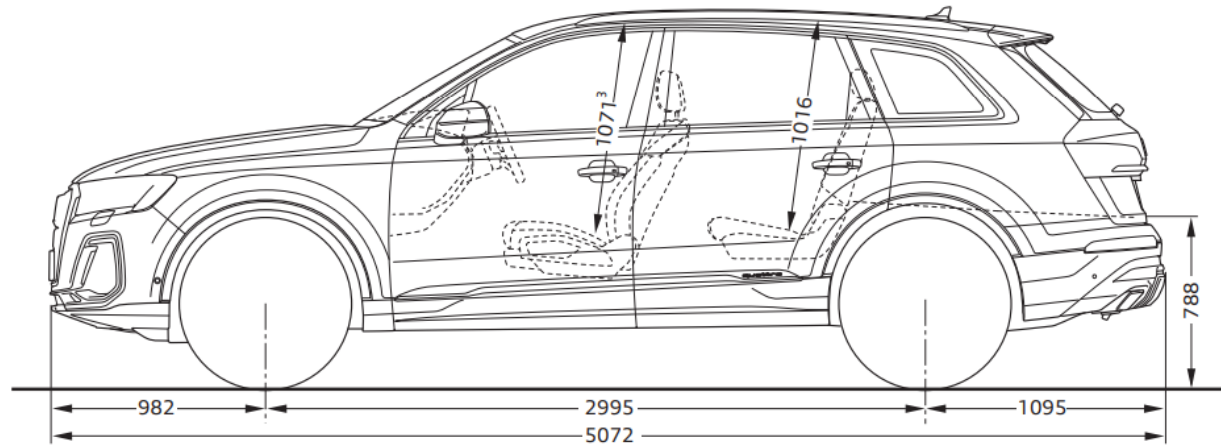
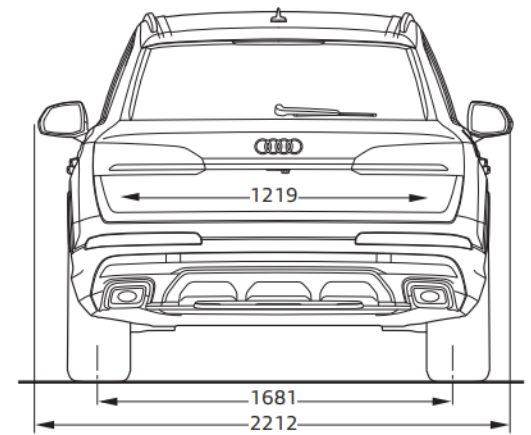
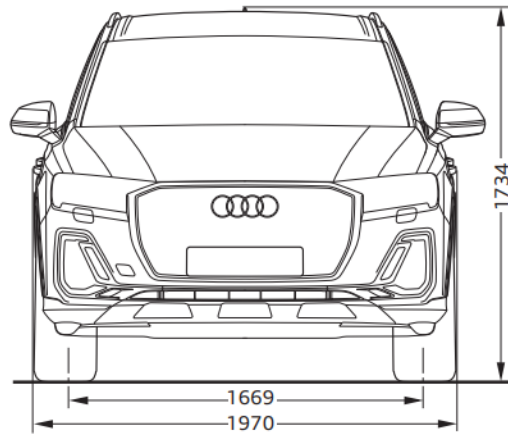
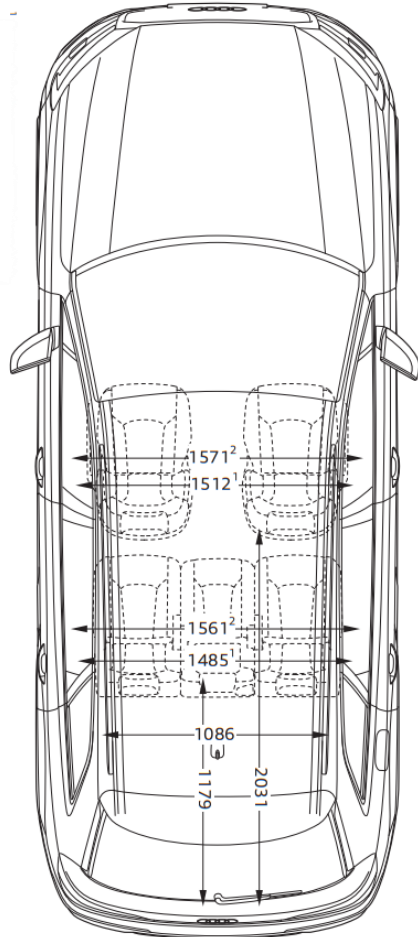
24 hours a day, 7 days a week

Vehicle model and VIN number will be required.



Audi Q7 Dimensions

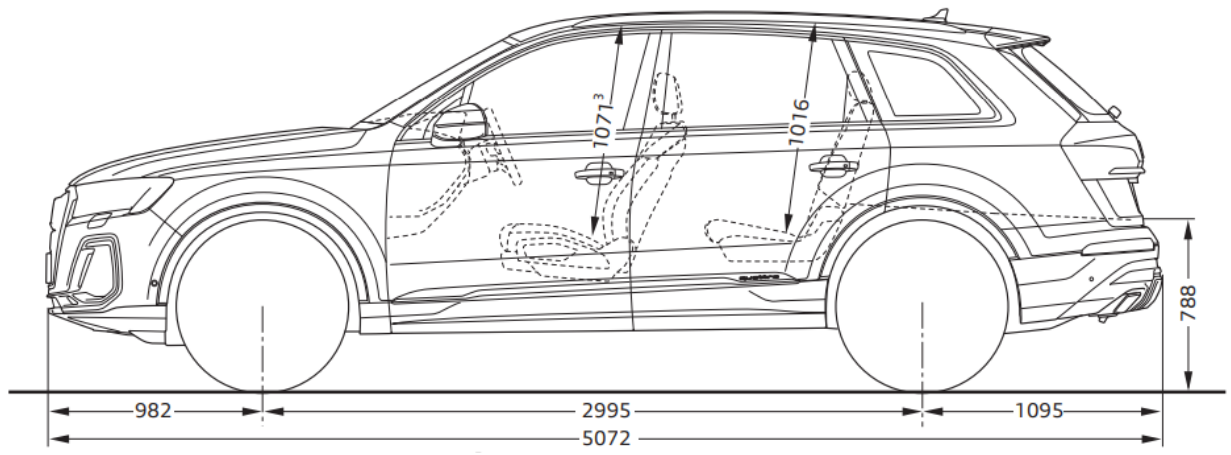
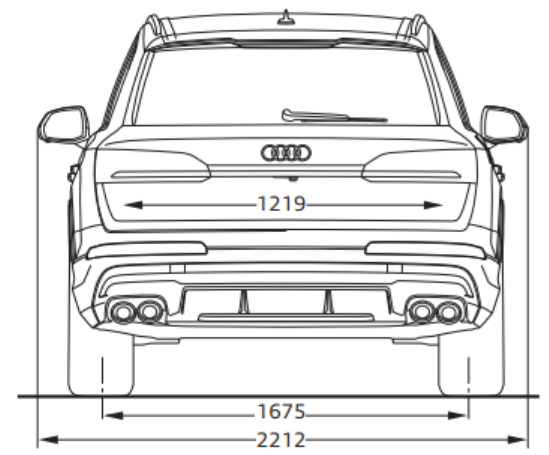
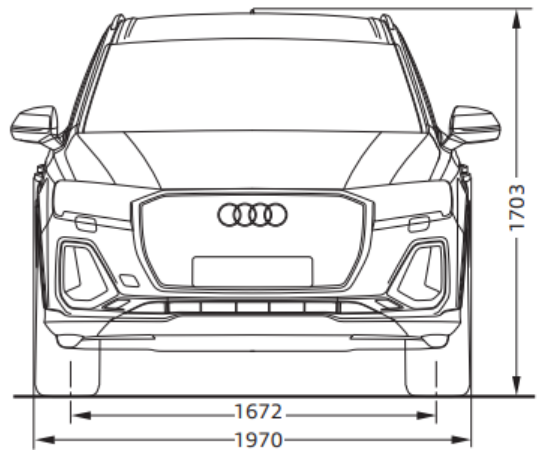
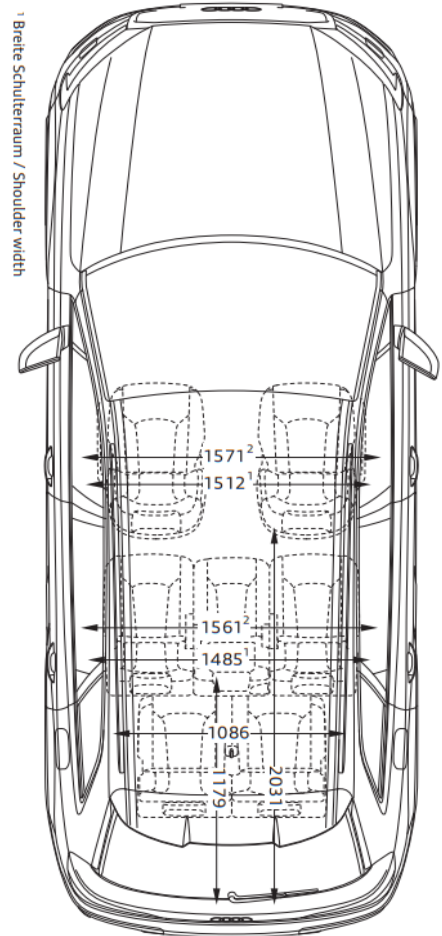
All the measurements you need



Audi Q7 luggage compartment capacity:
7-seater: 780/1908 l



Audi SQ7 Dimensions All the measurements you need



**Audi luggage compartment capacity:
SQ7: 887/2013 l**

Q7



Information in this pricelist

We've done all we can to make the prices, specifications, technical details and all other information you see in this pricelist accurate at the time of publication. We reserve the right to change prices or specification at any time. All prices shown include VAT, which is currently charged at 15%. Recommended retail pricing is not binding on the dealer and is inclusive of an optional 5 year/100,000km Audi Freeway Plan. Pricing and specification is valid for vehicles produced from model year 2025 onwards.

Please check model availability and full specification details with your Audi Dealership prior to ordering. Neither Audi South Africa nor Audi Dealers can accept contractual responsibility for your reliance on the information contained in this pricelist. Performance figures and specifications relating to Audi vehicles are indicative only and performance cannot be guaranteed. Performance figures and specifications may be updated from time to time, when new test results or other information become available. Your local Audi Dealership can always provide you with the most up-to-date information available. Written and visual depictions (including photographs) of vehicles, are for illustrative purposes only and should not be relied upon. Some illustrations may not accurately reflect South African specifications (including paint and trim colours) and may not be available. If in doubt, always contact your local Audi Dealership.