

A3

Sedan

February 2025

The Audi A3

Audi established the premium compact class segment with the A3 in 1996. The fourth generation of the successful model is now receiving an update that – along with a sportier appearance – includes new design elements and numerous digital offers.

This pricelist will make it easy for you to build your A3, taking you through all the model, engine and option choices. The online configurator is also available to build your dream car.



Local specification may vary from vehicle shown

A3 Sedan



Engines

Sedan	Engine capacity (l)	Transmission	Power (kW)	Torque (Nm)	0-100km (s)	Top Speed Km/h	Urban l/100km	Extra Urban l/100km	Combined l/100km	Combined CO2	RRP
A3 35 TFSI S line	1395	tiptronic	110	250	8.4	231	7.7	4.7	5.8	138	R 823,200
A3 35 Black Edition	1395	tiptronic	110	250	8.4	231	7.7	4.7	5.8	138	R 849,500

Fuel consumption and CO₂ data applies to the German Market. The specified values are determined in accordance with certain test procedures. The specifications do not refer to an individual vehicle but serve only as a basis for comparing the different types of vehicles. In addition, the consumption figures achieved during normal driving may differ from the test values, depending in particular on special equipment fitted, vehicle loading, personal driving style, road and traffic conditions, environmental factors and conditions of the car. Pricing and specification is valid for vehicles produced from model year 2025 onwards.

* RRP is inclusive of VAT, CO₂ emissions tax and an optional 5 year/100,000km Audi Freeway Plan



Standard Equipment | A3 Standard

Wheels:

- ▶ 18-inch Audi wheels, 5-twin-spoke, Graphite Grey, gloss turned finish, 8.0J x 18, 225/40 R18 tyres
- ▶ Vehicle tool kit and vehicle jack
- ▶ Wheel bolts, anti-theft
- ▶ Tyres 225/40 R18 92Y xl
- ▶ Spare wheel, space-saving
- ▶ Tyre pressure loss indicator

Performance & suspension:

- ▶ Audi drive select
- ▶ Electromechanical power steering
- ▶ Sport suspension
- ▶ Start-stop system

Lighting:

- ▶ LED headlights and LED rear lights with dynamic turn signal in rear
- ▶ LED rear lights with dynamic turn signal

Exterior:

- ▶ S line
- ▶ Exterior mirrors, electrically adjustable and heated
- ▶ Panoramic glass roof

Safety and convenience:

- ▶ Advanced driver attention & drowsiness monitor
- ▶ Airbags, front; front passenger airbag can be deactivated
- ▶ Anti-theft alarm
- ▶ Child-proof lock, electrically operated
- ▶ Convenience key
- ▶ Convenience opening for luggage compartment lid
- ▶ Cruise control
- ▶ First-aid kit with warning triangle
- ▶ Lane departure warning
- ▶ Hold assist
- ▶ Park assist with parking system plus
- ▶ Side airbags, front and head airbag system

Audio & communication:

- ▶ Audi connect emergency call & service
- ▶ Audi phone box light
- ▶ Audi virtual cockpit
- ▶ MMI radio plus
- ▶ Smartphone interface
- ▶ SONOS 3D premium sound system
- ▶ USB ports with charging function in the rear

Interior Equipment:

- ▶ Automatic air conditioning
- ▶ Ambient lighting package plus
- ▶ Armrest in artificial leather
- ▶ Door sill trims with aluminum inlays, front, illuminated, S logo
- ▶ Floor mats, front and rear
- ▶ Front head restraints
- ▶ Front seats, manually adjustable
- ▶ Gearshift/selector lever handle
- ▶ Headlining in cloth, Black
- ▶ i-Size and top tether for the outer rear seats
- ▶ Inlay, Aluminum Spectrum, Dark
- ▶ Interior trims in aluminum look
- ▶ Pulse cloth/artificial leather combination with S embossing
- ▶ Rear seat backrest, folding
- ▶ Sport contour leather steering wheel, 3-spoke, flat bottom with multifunction plus and shift paddles
- ▶ Sport seats, front
- ▶ Stainless steel pedals
- ▶ Steering wheel trim in chrome look, S emblem, grips in perforated leather and contrasting stitching

A3 Sedan



Standard Equipment | A3 Black Edition

- ▶ Audi Sport wheels, 5-Y-twin-spoke, Black Metallic, 8.0J x 18, 225/40 R18 tyres
- ▶ Black styling plus
- ▶ Privacy glass for rear windows
- ▶ LED door entry lights with S logo projection, front
- ▶ Exterior mirror housings in Black (available additionally, dependent on vehicle colour selected)



A3 Sedan



Paint | A3

			A3 35 TFSI S line	A3 35 TFSI Black Edition
Z9Z9		Arkona White	No cost	No cost
M4M4		District Green, metallic	No cost	No cost
2Y2Y		Glacier White, metallic	No cost	No cost
0E0E		Mythos Black, metallic	No cost	No cost
2D2D		Navarra Blue, metallic	No cost	No cost
B1B1		Progressive Red, metallic	No cost	No cost
R1R1		Python Yellow, metallic	R 14,700	R 14,700
9W9W		Ascari Blue, metallic	R 20,100	R 20,100
6Y6Y		Daytona Grey, pearlescent	R 14,700	R 14,700
0000		Polar Matte Effect, Audi exclusive	R 79,000	R 79,000
Q0Q0		Audi exclusive paint finish*	R 112,000	R 112,000

Options are subject to availability and may extend time taken for delivery. All the colour swatches on this page are matched as accurately as possible to the actual paint colours used. Audi South Africa cannot guarantee that colours shown are 100% accurate. Visit your local Audi Centre for a more accurate colour swatch.

*Audi exclusive paint is subject to factory approval. Visit your local Audi Centre for colour samples.

A3 Sedan



Wheels & Tyres A3		A3 35 TFSI S line	A3 35 TFSI Black Edition
F30	18" 5-twin-spoke, Graphite Grey, gloss turned finish, 8.0J x 18, 225/40 R18 tyres	S	---
U35	18" Audi Sport wheels, 5-Y-twin-spoke, Black Metallic, 8.0J x 18, 225/40 R18 tyres	---	S
U53	18" 5-Y-spoke, Graphite Grey, gloss turned finish, 8.0J x 18, 225/40 R18 tyres	No cost	---
C8X	19" Audi Sport wheels, 5-arm star, Black Metallic, gloss turned finish, 8.0J x 19, 235/35 R19 tyres	R 22,500	---
49D	19" Audi Sport wheels, multi-spoke S design, Anthracite Black, gloss turned finish, 8.0J x 19, 235/35 R19 tyres	R 22,500	---
C2T	19" Audi Sport wheels, 5-twin-spoke edge, Anthracite Black, gloss turned finish, 8.0J x 19, 235/35 R19 tyres	---	R 22,500

18



F30



U53



U35

19



C8X



49D



C2T

A3 Sedan



Optional equipment | A3

Equipment packages		A3 35 TFSI S line	A3 35 TFSI Black Edition
WDP	Assist package <ul style="list-style-type: none"> • Side assist with exit warning and rear cross-traffic assist • Audi pre sense front • Adaptive cruise control Only available in combination with PYK and PYU	R 16,200	R 16,200
PYK	Drive and Park package <ul style="list-style-type: none"> • Rear view camera system Only available in combination with WDP and PYU	R 5,000	R 5,000
PYU	Safety package <ul style="list-style-type: none"> • Audi pre sense basic and Audi pre sense rear Only available in combination with WDP and PYK	R 1,100	R 1,100
PYY	Comfort package plus <ul style="list-style-type: none"> • 4-way lumbar support for the front seats • exterior mirrors, electrically adjustable, heated and folding, automatically dimming • interior mirror, automatically dimming, frameless 	R 14,400	R 14,400
PG6	Comfort package pro <ul style="list-style-type: none"> • front seats, electrically adjustable with memory function for the driver seat • 4-way lumbar support for the front seats • exterior mirrors, electrically adjustable, heated and folding, automatically dimming, with memory function • interior mirror, automatically dimming, frameless 	R 30,900	R 30,900
PYC	Climate Control package plus <ul style="list-style-type: none"> • 3-zone deluxe automatic air conditioning • seat heating, front 	R 18,500	R 18,500
PYG	Infotainment package connectivity <ul style="list-style-type: none"> • MMI navigation plus with MMI touch • Audi virtual cockpit plus • Audi connect navigation & infotainment plus Only available in combination with IU4	R 19,500	R 19,500

A3 Sedan



Optional equipment | A3

Exterior:		A3 35 TFSI S line	A3 35 TFSI Black Edition
PXC	Matrix LED headlamps, LED rear combination lamps and headlamp washer system Audi matrix LED technology provides precise, high-resolution illumination of the road. Dazzling for oncoming vehicles or vehicles in front can be considerably reduced as a result. Three additional daytime running light signatures can be selected in the MMI to personalize the vehicle's appearance with various graphics. The equipment includes: <ul style="list-style-type: none"> • matrix LED headlights with dynamic light sequencing and dynamic indicator with digital daytime running light signature • 3 daytime running light signatures can be additionally selected in the MMI • LED rear lights with dynamic light sequencing and dynamic indicator 	R 13,400	R 13,400
8G1	High beam assistant	R 2,900	R 2,900
YKG	Carbon Style package	---	R 21,900
1D2	Trailer hitch	R 15,100	R 15,100
6H4	Roof in contrasting color	R 8,700	R 8,700
6FJ	Exterior mirror housings in Black	---	R 2,100
9TL	Entry LED with S logo projection, front	R 2,400	S
Interior and convenience:			
QQ3	Ambient Lighting package pro	R 4,600	R 4,600
QE1	Storage and Luggage Compartment package	R 3,400	R 3,400

A3 Sedan



Optional equipment | A3

<u>Seats/inlays/accent:</u>		A3 35 TFSI S line	A3 35 TFSI Black Edition
PWL	Interior S with sport seats in leather/artificial leather combination, Black	R 10,900	R 10,900
PWM	Interior S with sport seats in Dinamica microfiber/artificial leather combination, Black	R 24,600	R 24,600
YYB	Coloured stitching in Red	R 8,100	R 8,100
3L5	Front seats, electrically adjustable	R 13,250	R 13,250
5MQ	Inlay, Carbon Atlas, Structure	R 12,300	R 12,300
7TC	Inlay, Impressum woven textile, Black	R 4,700	R 4,700
<u>Audio and communication:</u>			
IU4	Audi Application Store	No cost	No cost
IT3	Audi connect navigation & infotainment plus	R 9,700	R 9,700
9ZE	Audi phone box	R 6,000	R 6,000
GB1	LTE support for Audi phone box	No cost	No cost
<u>Suspension/brakes:</u>			
1ZA	Disk brakes, front, 16-inch	No cost	No cost
1JF	Sport suspension for 19-inch wheels	No cost	No cost



Important information

Welcome to Audi

Audi Freeway Plan | Motoring Peace of Mind

There can be no better motoring peace of mind than knowing that your car will be serviced, maintained and repaired, should this prove necessary, at no cost to you. Thanks to Audi Freeway Plan, that peace of mind could be yours.

The Audi Freeway Plan absorbs all maintenance and service costs, with the exception of between-service top-up fluids, fuel, cracked or broken glass, and tyres.

Recommended retail pricing is inclusive of an optional 5 year/100,000 km Audi Freeway Plan on all new Audi vehicles.

Top-up options to extend maintenance are available at extremely competitive rates. Audi has specially designed the Audi Freeway Plan for easy operation on the part of the owner. Making an appointment with any one of our approved Audi Servicing Dealers can effect regular servicing and maintenance as well as repairs (with the exception of accident damage).

All work is handled by the relevant service department, which will liaise directly with the Audi Freeway Plan Maintenance Unit. No extra effort or payment is required from the Audi owner. The Audi Freeway Plan is registered with the vehicle and as such is transferable to the new owner should the car be sold before the Audi Freeway Plan has expired, giving added resale value. The Audi Freeway Plan is available in addition to Audi's standard one-year/unlimited distance vehicle warranty. The Audi Freeway Plan is subject to certain exclusions, covers any repairs necessary after the expiry of the standard warranty.

Audi Assist | Emergency and Personal Assistance

Audi Assist is a programme whereby Audi of South Africa and its Dealer Network pledge to provide you with peace of mind motoring by providing the infrastructure to support a countrywide emergency service 24 hours a day, every day.

The programme is known as Audi Assist and operates within the borders of South Africa as well as Namibia and Botswana. The objective of the programme is to ensure on the spot roadside assistance offered by a fully equipped and trained Audi technician.

The primary focus is to get you mobile in your own vehicle. Where a roadside repair cannot be effected and the vehicle needs to be towed to the nearest Audi dealer, you and the occupants of the vehicle will be transported to a place of safety in the dealer's roadside assistance vehicle.

Contact details within South Africa:
086 043 4838

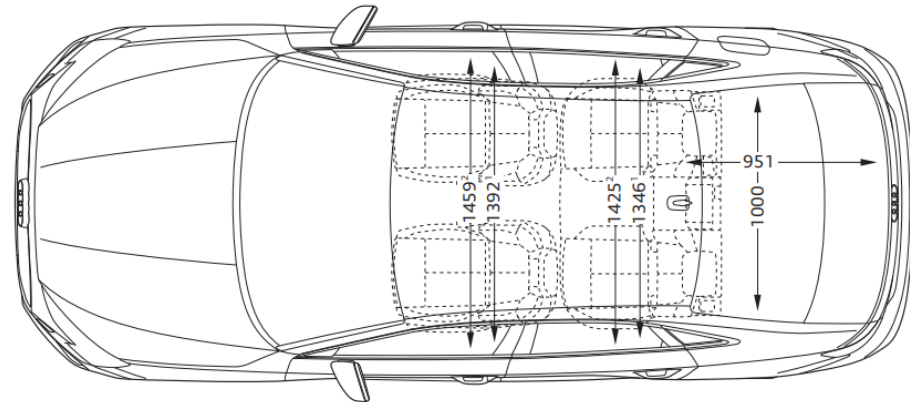
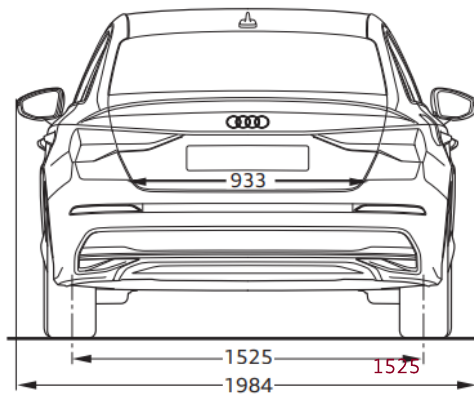
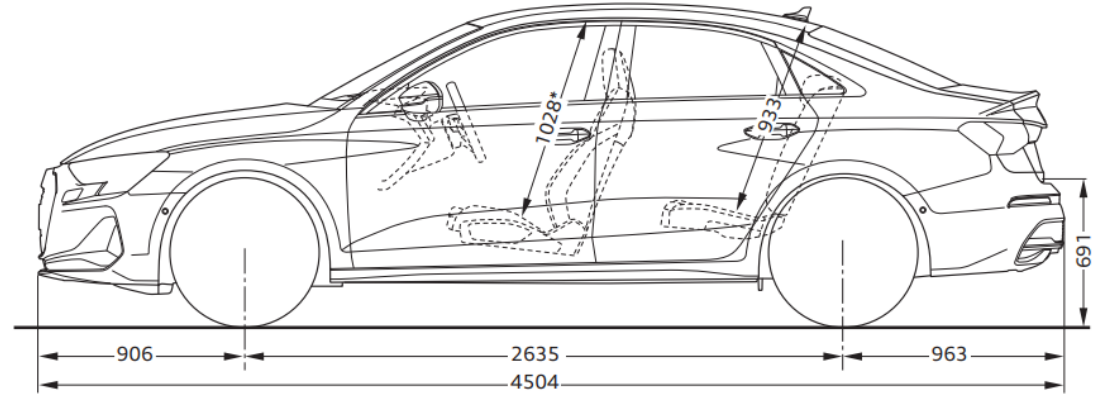
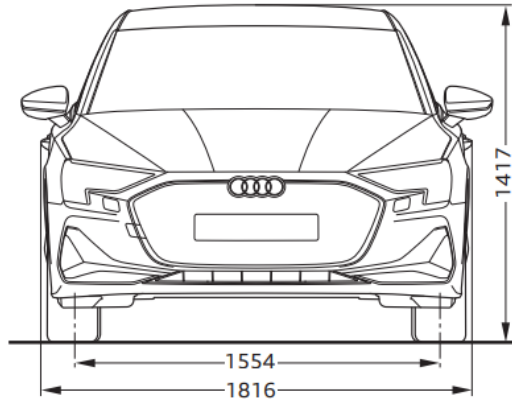
Contact details for neighbouring states:
+27 41 994 5616

24 hours a day, 7 days a week
Vehicle model and VIN number will be required.

A3 Sedan



Audi A3 Sedan Dimensions



¹ Breite Schulterraum / Shoulder width

² Breite Ellbogenraum / Elbow width

* maximaler Kopfraum / Maximum headroom

Angaben in Millimeter / Dimensions in millimeters

Angabe der Abmessungen bei Fahrzeugleergewicht / Dimensions of vehicle unloaded

Bei den angegebenen Werten handelt es sich um auf Datenbasis ermittelte Nominalwerte. Sie basieren auf zum Zeitpunkt der Ermittlung vorliegenden Datenständen und definierter Ausstattungsvariante.

The indicated values are data based nominal values. They refer to the present data sets at the date of the determination and a defined set of equipment

A3 Sedan



Information in this pricelist

We've done all we can to make the prices, specifications, technical details and all other information you see in this pricelist accurate at the time of publication. We reserve the right to change prices or specification at any time. All prices shown include VAT, which is currently charged at 15%. Recommended retail pricing is not binding on the dealer and is inclusive of an optional 5 year/100,000km Audi Freeway Plan. Pricing and specification is valid for vehicles produced from model year 2025 onwards. Local specification may vary from vehicle shown.

Please check model availability and full specification details with your Audi Dealership prior to ordering. Neither Audi South Africa nor Audi Dealers can accept contractual responsibility for your reliance on the information contained in this pricelist. Performance figures and specifications relating to Audi vehicles are indicative only and performance cannot be guaranteed. Performance figures and specifications may be updated from time to time, when new test results or other information become available. Your local Audi Dealership can always provide you with the most up-to-date information available. Written and visual depictions (including photographs) of vehicles, are for illustrative purposes only and should not be relied upon. Some illustrations may not accurately reflect South African specifications (including paint and trim colours) and may not be available. If in doubt, always contact your local Audi Dealership.